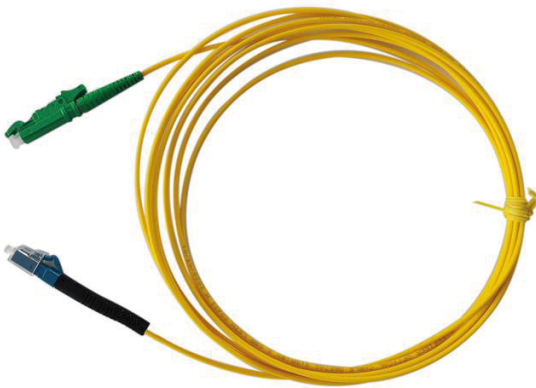


LWL-1-Faser-Patchkabel LC/UPC-LSH (E2000APC), 9/125u, OS2, G657A2, AD=2mm, LC hat flexible Knickschutztülle, Synergy21



Hersteller-nummer	Länge in m	Hersteller-nummer	Länge in m	Hersteller-nummer	Länge in m
S217841	1,50	S217843	3,00	S217847	15,00
S217850	1,80	S217844	5,00	S217848	20,00
S217842	2,20	S217845	8,00	S217849	30,00
S217851	2,50	S217846	10,00		

Product features

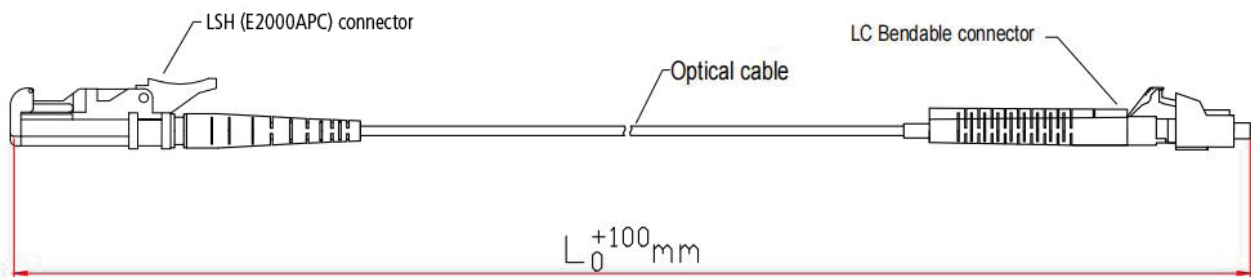
- Low insertion loss and high return loss
- Excellent endface geometry parameter
- Special specification available upon customer's request

Applications

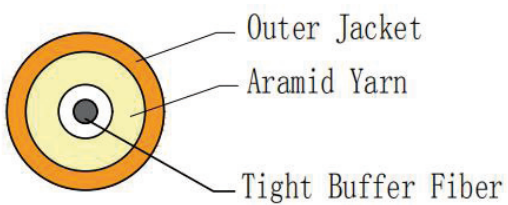
- Data transmission Networks
- Image transmission Networks
- CATV
- Optical test instrument
- Photoelectric automatic control system

Product Sketch Map

Patch cord:



Optical cable:



Optical Performance

Project	Spec.	Standard
Operating wavelength	1260~1650nm	
Attenuation	≤0.36-1310nm ≤0.25-1550nm	
Insertion loss	≤0.2dB(Max.)	Follow GR326-COR E and IEC Standard
Return loss	≥60dB(APC),≥ 50dB(UPC)	
Repeatability	≤0.1dB	
Interchangeability	≤0.1dB	

Material Characteristics

Project	Spec.	Standard
Fiber Typ	G657A1	
Cable Diameter	2.0±0.1mm	
Out of roundness	≤5%	Follow ROHS and IEC Standard
Cable Material	LSZH or PVC	
Cable Color	Gelb	
Working temperature	-40°+85°C	

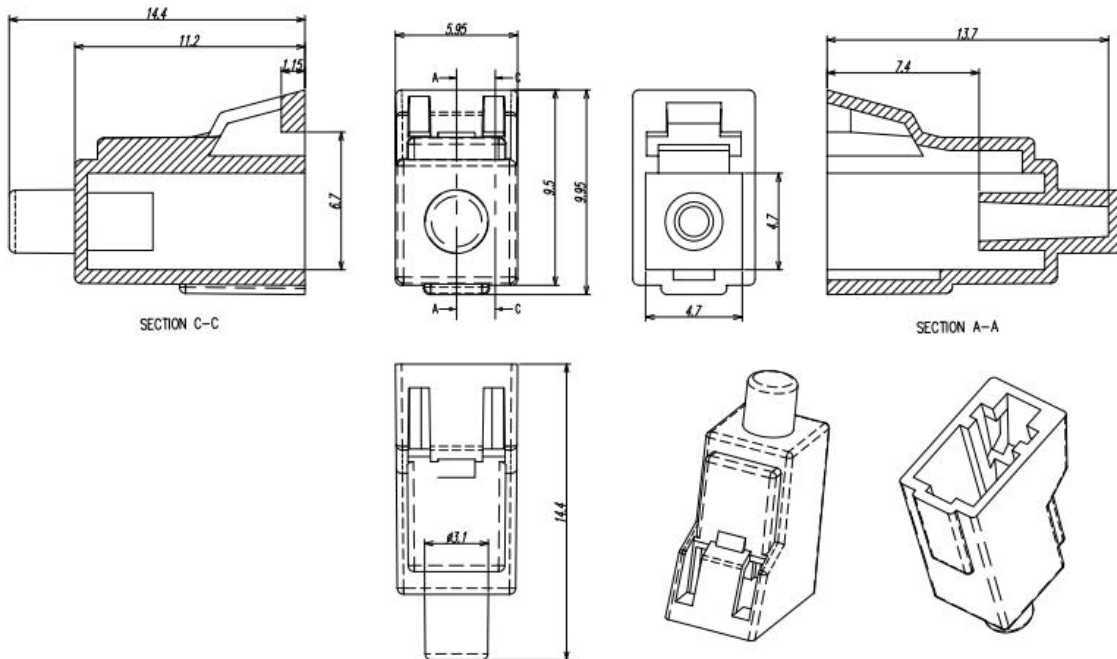
Environmental performance

Project	Test condition	Index	
High temperature	85°C, 96H	ΔIL≤0.15dB	ΔRL≤3.0dB
Low temperature	-40°C, 96H	ΔIL≤0.15dB	ΔRL≤3.0dB
Loop	-40°~+85°C, 3.5H/Cycle, 40x loop	ΔIL≤0.15dB	ΔRL≤3.0dB
Hot and humid	110°C, 90%RH, 2 atmospheric pressure 96H	ΔIL≤0.15dB	ΔRL≤3.0dB
Immersion	43°C, PH5.5, 168H	ΔIL≤0.15dB	ΔRL≤3.0dB

Mechanische Eigenschaften

Project	Test condition	Index	
To attack	1.8m, three axial, 8 times / axial	ΔIL≤0.15dB	ΔRL≤3.0dB
Vibration	10 to 50HZ, 45 times /min, amplitude 0.75mm, three axial. Each axial 30min	ΔIL≤0.15dB	ΔRL≤3.0dB
Reverse	Distance machine 20 to 28cm, + 180 degrees, 6s/ times, 25 times	ΔIL≤0.15dB	ΔRL≤3.0dB
Tensile	The distance from the plug is 20 to 28cm, 1min, and the load is 40N	ΔIL≤0.15dB	ΔRL≤3.0dB

Transparent one-piece dust cap



Bendable Boot

