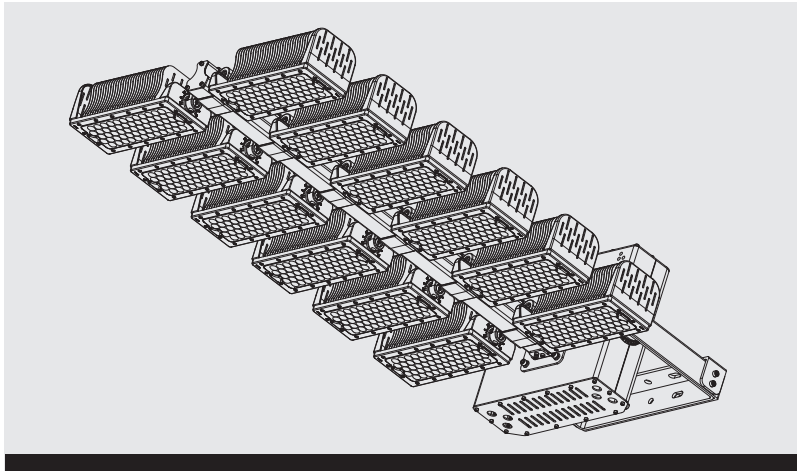


Installation Instructions



LED Ultra Flood Light

480W/720W/960W/1200W/1440W

Technical Parameters

CCT	2700-6500K	Power Factor	> 0.95
Working Temperature	-40°C ~ 60°C	Working Life	50,000 hours
Beam Angle	30°/60°/90°/120°	Input Voltage	AC 90-305 V 50/60 Hz
LAMP LUMINOUS FLUX	165 LM/W ± 5% (60°/90°/120°)	IP Grade	IP66
	155 LM/W ± 5% (30°)	CRI	Ra > 70

Lamp Power	LED Quantity	Lamp Size (mm)	Lamp Luminous Flux	Net Weight (kg)
480W	248PCS	536*165*579	79,200LM	12kg ± 5%
720W	372PCS	691*202*579	118,800LM	15.8kg ± 5%
960W	496PCS	846*202*579	158,400LM	19.9kg ± 5%
1200W	620PCS	1001*277*579	198,000LM	24.2kg ± 5%
1440W	744PCS	1156*277*579	237,600LM	26.5kg ± 5%

Warning



Power-Off In Accident



Use Original Parts



Follow The Installation Instructions



Certified Installer



Not Suitable For Underwater Use



-40°C~60°C Working Temperature



Keep Away From Chemical



Use Waterproof Wiring

Trouble Shooting

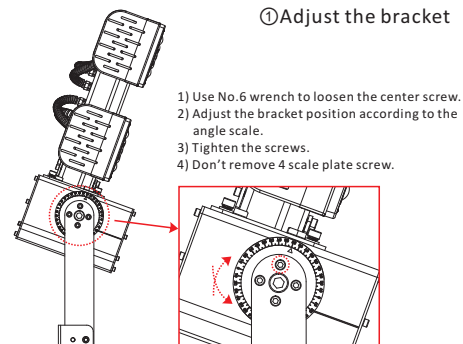
- * Please don't disassemble light without being authorized staff.
- * Please report us the abnormality in time

Problem	Possible Cause	Solutions
LEDs stop working	The power line/plug is improperly connected.	Reconnect the power cable/plug.
	Power failure.	Check the circuit.
	Fault with LED Driver.	Replace with new driver.
	Damage to LED chips.	Replace with new LEDs board.
LEDs flash on and off	The output of the driver is abnormal.	Replace with new driver.
	The LED chip breaks down.	Replace with new LED board.
	Voltage Instability.	Power-off and check the power supply.


Installation Steps

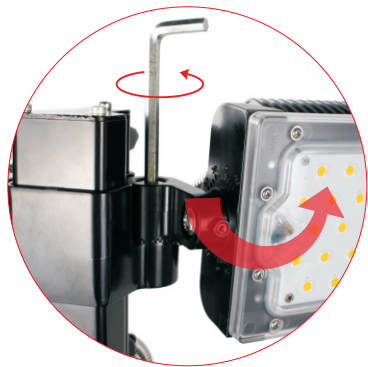
① Adjust the bracket

- 1) Use No.6 wrench to loosen the center screw.
- 2) Adjust the bracket position according to the angle scale.
- 3) Tighten the screws.
- 4) Don't remove 4 scale plate screw.



② Adjust the modules (see the detailed steps below)





140° Adjustment

- 1) Use No.6 wrench to loosen the Hexagon screws.
- 2) Adjustment module direction.
- 3) Tighten the screws.

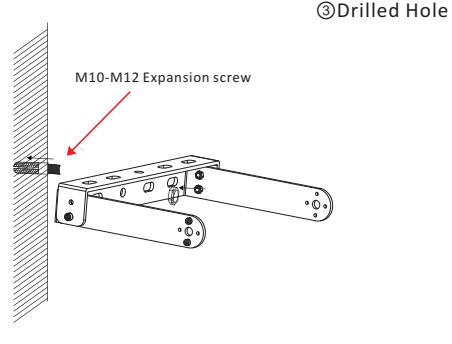


360° Adjustment

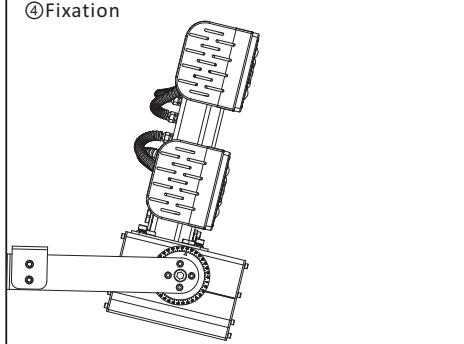
- 1) Use No.2.5 wrench to loosen the set screw.
- 2) Adjustment module direction.
- 3) Tighten the screws.

! Tips: Hole ① ③ ⑤ must fix with screws.

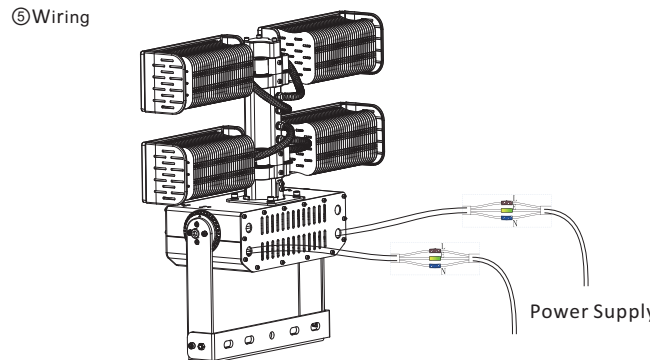
③ Drilled Hole



④ Fixation



⑤ Wiring

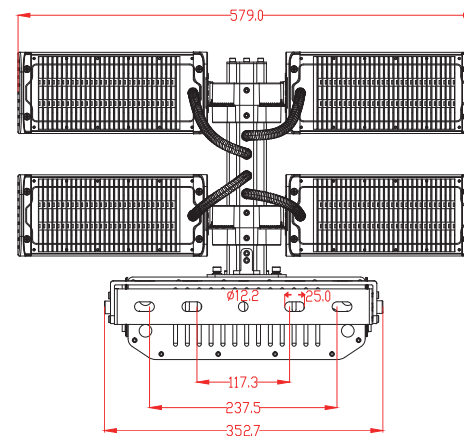


L — Brown

N — Blue

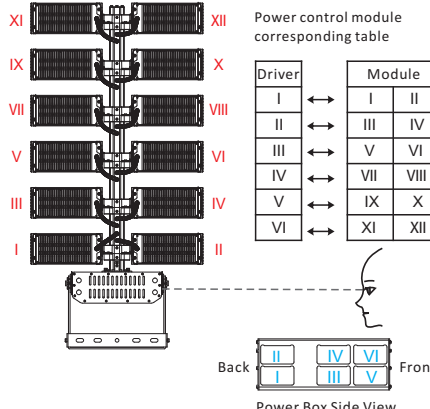
— Yellow/Green

90-305V 50/60Hz



Power control module corresponding table

Driver	Module
I ↔	I II
II ↔	III IV
III ↔	V VI
IV ↔	VII VIII
V ↔	IX X
VI ↔	XI XII



Back Front

Power Box Side View

