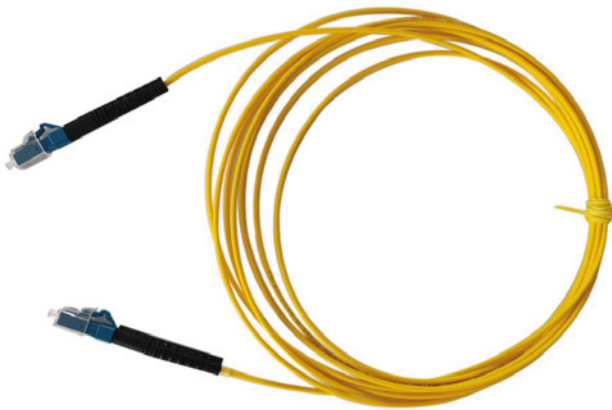


LWL-1-Faser-Patchkabel LC/UPC-LC/UPC, 9/125u, OS2, G657A2, AD=2mm, flexible Knickschutztülle, Synergy21



| Hersteller-nummer | Länge in m | Hersteller-nummer | Länge in m | Hersteller-nummer | Länge in m | Hersteller-nummer | Länge in m |
|-------------------|------------|-------------------|------------|-------------------|------------|-------------------|------------|
| S217800 | 0,20 | S217811 | 0,85 | S217822 | 1,70 | S217833 | 6,00 |
| S217801 | 0,30 | S217812 | 0,90 | S217823 | 1,80 | S217834 | 7,00 |
| S217802 | 0,40 | S217813 | 0,95 | S217824 | 1,90 | S217835 | 8,00 |
| S217803 | 0,45 | S217814 | 1,00 | S217825 | 2,00 | S217836 | 9,00 |
| S217804 | 0,50 | S217815 | 1,05 | S217826 | 2,20 | S217837 | 10,00 |
| S217805 | 0,55 | S217816 | 1,10 | S217827 | 2,50 | S217838 | 15,00 |
| S217806 | 0,60 | S217817 | 1,15 | S217828 | 3,00 | S217839 | 20,00 |
| S217807 | 0,65 | S217818 | 1,20 | S217829 | 3,50 | S217840 | 30,00 |
| S217808 | 0,70 | S217819 | 1,25 | S217830 | 4,00 | | |
| S217809 | 0,75 | S217820 | 1,50 | S217831 | 4,50 | | |
| S217810 | 0,80 | S217821 | 1,60 | S217832 | 5,00 | | |

Product features

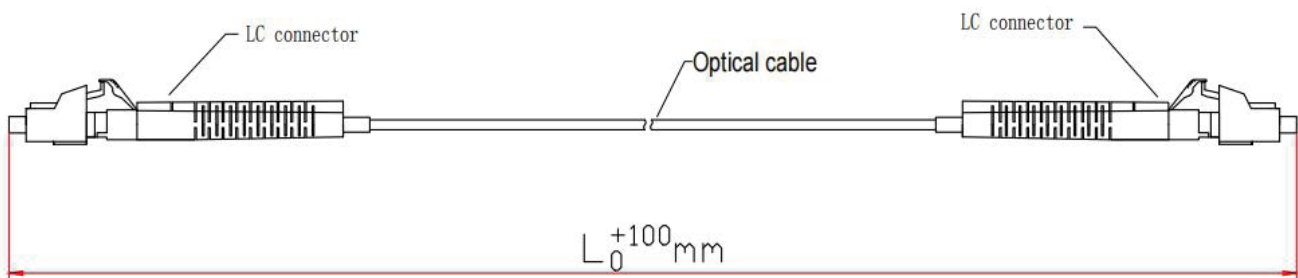
- Low insertion loss and high return loss
- Excellent endface geometry parameter
- Special specification available upon customer's

Applications

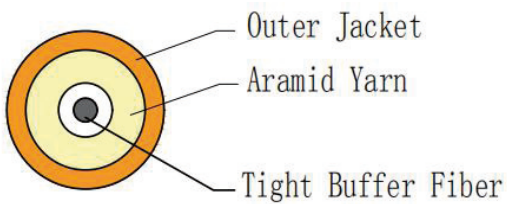
- Data transmission Networks
- Image transmission Networks
- CATV
- Optical test instrument
- Photoelectric automatic control system

Product Sketch Map

Patch cord:



Optical cable:



Optical Performance

| Project | Spec. | Standard |
|----------------------|------------------------------|-------------------------------------|
| Operating wavelength | 1260~1650nm | |
| Attenuation | ≤0.36-1310nm ≤0.25-1550nm | |
| Insertion loss | ≤0.2dB(Max.) | Follow GR326-COR E and IEC Standard |
| Return loss | ≥50dB | |
| Repeatability | ≤0.1dB | |
| Interchangeability | ≤0.1dB | |

Material Characteristics

| Project | Spec. | Standard |
|---------------------|-------------|------------------------------|
| Fiber Typ | G657A1 | |
| Cable Diameter | 2.0±0.1mm | |
| Out of roundness | ≤5% | Follow ROHS and IEC Standard |
| Cable Material | LSZH or PVC | |
| Cable Color | Gelb | |
| Working temperature | -40°+85°C | |

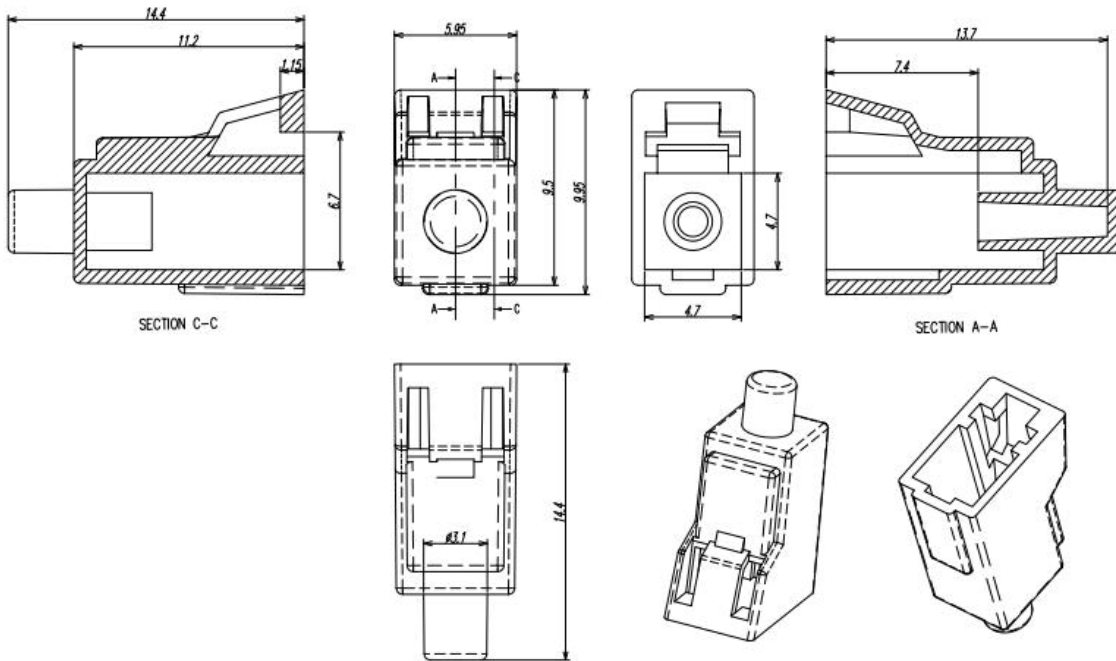
Environmental performance

| Project | Test condition | Index | |
|------------------|--|------------|-----------|
| High temperature | 85°C, 96H | ΔIL≤0.15dB | ΔRL≤3.0dB |
| Low temperature | -40°C, 96H | ΔIL≤0.15dB | ΔRL≤3.0dB |
| Loop | -40°~+85°C, 3.5H/Cycle, 40x loop | ΔIL≤0.15dB | ΔRL≤3.0dB |
| Hot and humid | 110°C, 90%RH, 2 atmospheric pressure 96H | ΔIL≤0.15dB | ΔRL≤3.0dB |
| Immersion | 43°C, PH5.5, 168H | ΔIL≤0.15dB | ΔRL≤3.0dB |

Mechanische Eigenschaften

| Project | Test condition | Index | |
|-----------|--|------------|-----------|
| To attack | 1.8m, three axial, 8 times / axial | ΔIL≤0.15dB | ΔRL≤3.0dB |
| Vibration | 10 to 50HZ, 45 times /min, amplitude 0.75mm, three axial. Each axial 30min | ΔIL≤0.15dB | ΔRL≤3.0dB |
| Reverse | Distance machine 20 to 28cm, + 180 degrees, 6s/ times, 25 times | ΔIL≤0.15dB | ΔRL≤3.0dB |
| Tensile | The distance from the plug is 20 to 28cm, 1min, and the load is 40N | ΔIL≤0.15dB | ΔRL≤3.0dB |

Transparent one-piece dust cap



Bendable Boot

