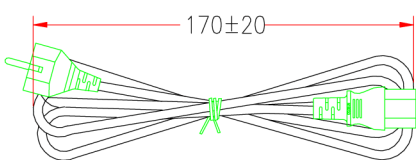
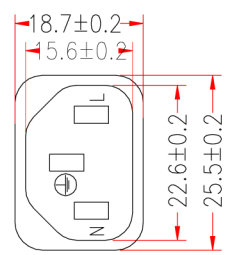
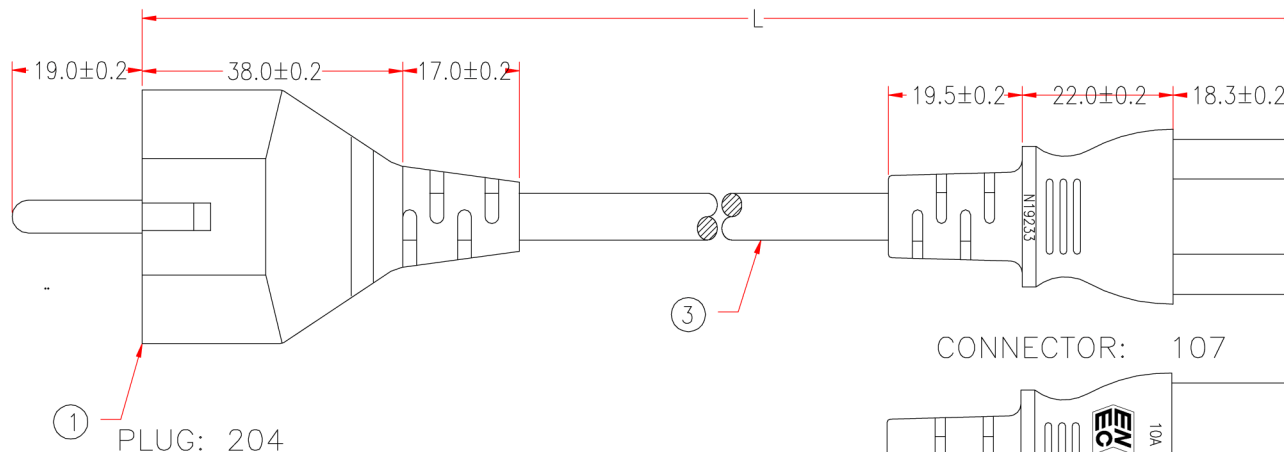
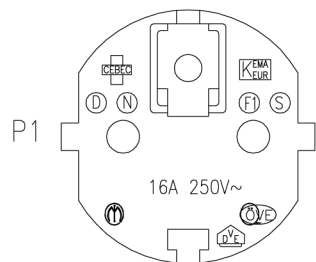


P1: M-011

P2: M-005

Customer No:

No.6



ITEM NO.	length (L)	length (X)	COLOR
EK508.2	2000mm	1970mm	BEIGE(RAL7032)
EK508SW.2	2000mm	1970mm	BLACK

COLOR SEE LIST

CABLE MARKING:

H05W-F 3G 0.75mm² (D) (S) (N) (FI) (OVE) KEMA-KEUR (CEDEC) IEMMEQU <VDE> (+)

N20050 G TSA-3 3G 0.75mm²

P1	P2
L	L BROWN
N	N BLUE
E	E GREEN/YELLOW

NOTE: All relevant materials are complied with RoHS directive .

No.	DESCRIPTION	Q'TY	Supplier
3	H05W-F 3G 0.75mm ² G TSA-3, OD6.8mm, JACKET COLOR SEE LIST DRAWING No. EPH5V0107503C-027	Xmm	M304
2	MOLDED PVC 45P, COLOR SEE LIST		M304
	BRACKET: YS-003	1	M767
	TERMINAL: 2*4mm, 98744BS-0/A	3	M257
1	MOLDED PVC 45P, COLOR SEE LIST		M304
	BRACKET: 98651A-VDE	1	M257

PART NO. 107204E3FS2F(FP076-02)		Revision:		Cable Length Unless Other Spec. Tolerances: 0 ~200mm ±10mm 201~1000mm ±20mm 1001 ~1500mm ±25mm 1501~2100mm ±30mm 2100mm↑ ±40mm
APPROVED				
CHECKED	HU			
DRAWING	JUDY			
DATE	16/DEC/11	ITEM NO.	EK508.2+EK508SW.2	UNIT:mm

CHECKED

