

ALLNET Switch unmanaged outdoor 3 Port Gigabit 100W / 3x PoE+ / 1x SFP / Fanless / IP67 / "ALL-SGO8103P"

>>> [Go to the shop article](#)



EAN CODE



ALLNET Switch unmanaged outdoor 3 Port Gigabit 100W / 3x PoE+ / 1x SFP / Fanless / IP67 / "ALL-SGO8103P"

Highlights:

- 3-Gigabit ports with PoE AF/AT support up to 30Watt per port,
- 1x SFP Ports for FO-Gbics e.g. ALL4750-INDU see accessories
- PoE Ports 1-3 max. PoE IEEE802.3at 30W
- Max. PoE Budget = 100 Watt
- Fanless metal housing with optimized heat dissipation
- Extended temperature range from -40° ~ +75°
- IP67 Protection class
- Fanless design

The ALL-SGO8103P is a 4-port PoE switch housed within a waterproof IP67 metal casing. This switch offers 3 Gigabit PoE ports compliant with IEEE802.3af/at, delivering a maximum of 30W per port. For the uplink port, the Gigabit SFP slot is recommended, which supports both fiber and copper connections via optional mini-GBICs.

It adheres to the IEEE802.3at standard and is additionally compatible with the usage of all IEEE802.3af standard devices, such as wireless APs, network cameras, VoIP phones, base stations, and other high-performance Ethernet terminals. The ALL-SGO8103P is designed for outdoor use. It operates with an input voltage ranging from 100-240Vac and functions efficiently within a temperature range of -40°C to +65°C. This outdoor switch comes equipped with various features including 6kV surge protection and other functionalities to ensure reliable operation in outdoor environments. Optionally, the switch can be easily mounted on a mast using the ALL-



SGO83-Pole-Kit.

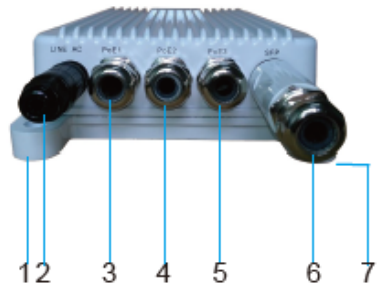
Use Cases:

Here are some use cases for the ALL-SGO8103P that cater to our distribution channels selling to resellers in the IT sector, lighting industry, telecommunications sector, electricians, video surveillance sector, security integrators, Industry 4.0 integrators, cybersecurity and IoT professionals, as well as smarthome installers:

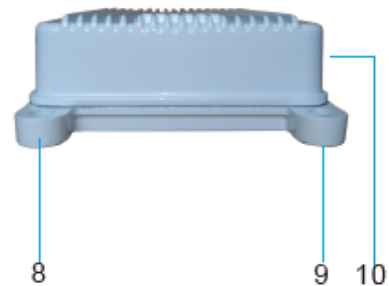
1. **IT Sector:** In IT networks, the ALL-SGO8103P can serve as an outdoor PoE switch to extend networks to remote locations or outdoor areas. For instance, it could be used to power wireless APs in remote areas.
2. **Lighting Industry:** In outdoor lighting, the switch can be used to control and power PoE-enabled lighting systems, ensuring energy efficiency and flexibility.
3. **Telecommunications Sector:** For telecommunications, the switch can be used to provide network connectivity to telecommunications masts and equipment outdoors.
4. **Electricians:** Electricians can utilize the ALL-SGO8103P to install and power PoE-enabled devices such as IP cameras, access control systems, or VoIP phones outdoors.
5. **Video Surveillance Sector:** In video surveillance, the switch can facilitate the operation and management of PoE-enabled cameras and surveillance devices at strategic outdoor locations.
6. **Security Integrators:** Security providers can use the switch to install wireless security systems and devices in areas without direct power access.
7. **Industry 4.0 Integrators:** In Industry 4.0 applications, the switch can aid in connecting and powering networked devices and sensors in outdoor environments.
8. **Cybersecurity and IoT:** When integrating cybersecurity solutions and IoT devices, the switch can be employed to securely network and power critical devices in outdoor scenarios.
9. **Smarthome Installers:** Smarthome installers can utilize the switch to operate PoE-enabled devices in the outdoor areas of a residence, such as surveillance cameras or smart lighting systems.

These use cases underscore the versatility of the ALL-SGO8103P switch and how it can be deployed across various industries and scenarios to provide robust and reliable outdoor network connections.

Product Profile

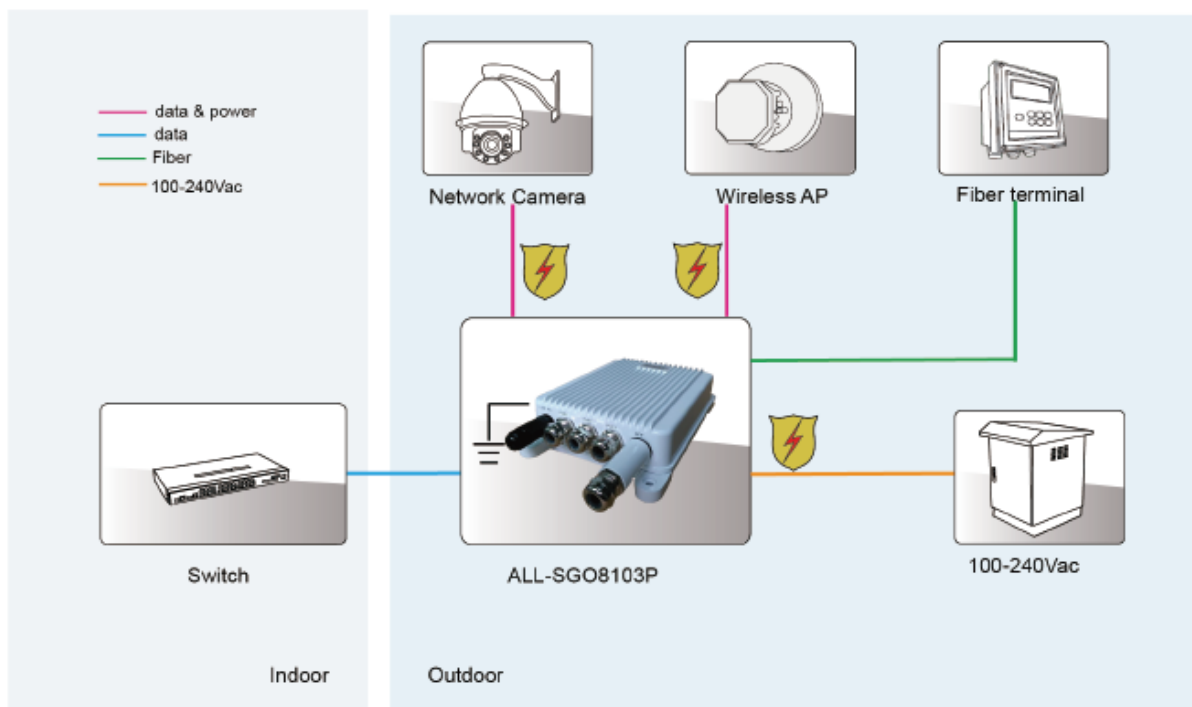


- 2. LINE AC: AC Power Input Port
- 3. PoE 1: Data&Power Output Port
- 4. PoE 2: Data&Power Output Port
- 5. PoE 3: Data&Power Output Port



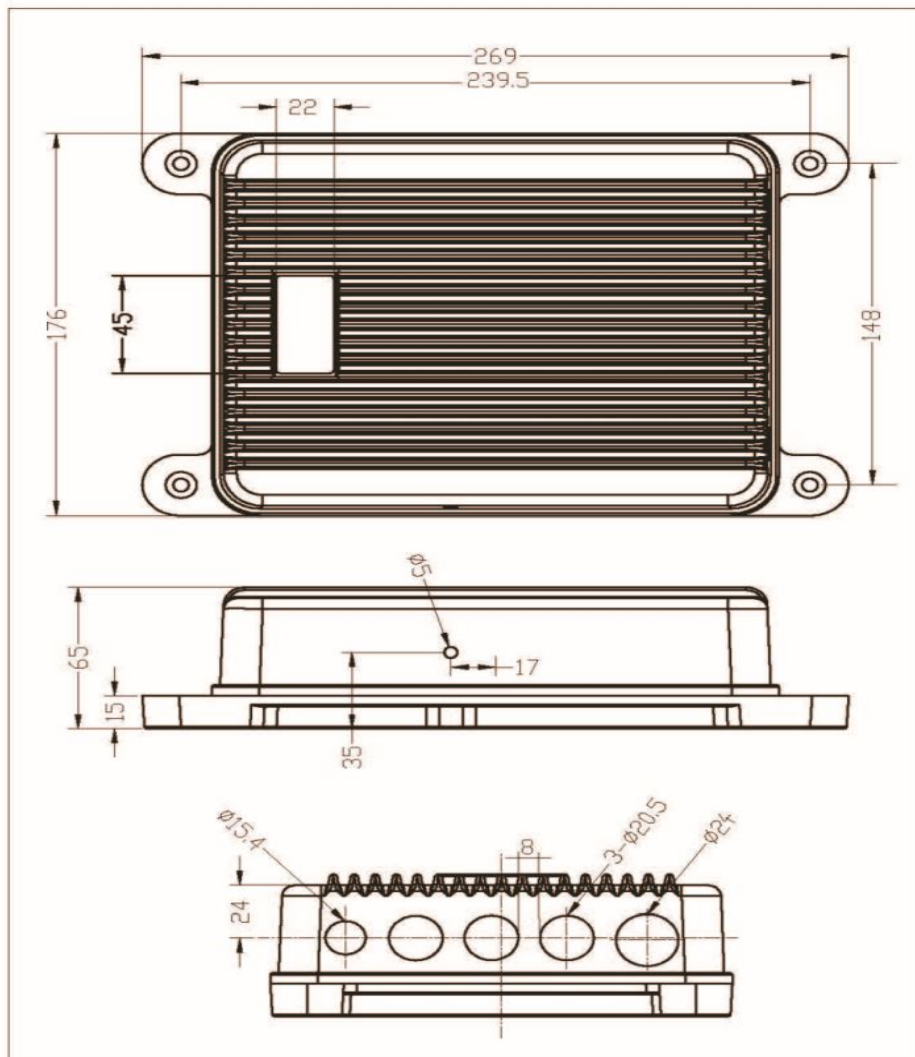
- 6. SFP: Data Input Port
- 1,7,8,9. Mounting Hole
- 10. Earth

Product Working Diagram



Technical Drawings:

Technische Zeichnungen:



Unit :mm

Technical Details:

Element	Specification
Standards	<ul style="list-style-type: none"> • IEEE802.3 10Base-T Ethernet • IEEE802.3u 100Base-Tx Fast Ethernet • IEEE8.2.3ab 1000Base-T Gigabit Ethernet • Support PD with IEEE802.3af/IEEE802.3at standard
PoE Power Output	<ul style="list-style-type: none"> • Power Output Pins: 3/6(+), 1/2(-) • Ethernet Pins: 4/5(+),7/8(-) • Data rate: 10/100/1000Mbps • Output voltage: 55V • Output current: 550mA • Input AC voltage: 100-240VAC • Input AC current: 2A@ 100-240VAC • AC Hz: 50-60Hz
Dimension & Weight	<ul style="list-style-type: none"> • Dimension: 176mm X 269mm X 65mm • Weight : 1.8kg
Environmental & Conditions	<ul style="list-style-type: none"> • Operating Temperature: -40°C ~ +65°C • Operating Height: -304.8meters to 3048meters • Operating Humidity: Maximum 90%, Non-condensing
AC Input Surge Protection	<ul style="list-style-type: none"> • 6KV • PoE power output surge protection • Protected pins: 1, 2, 3, 4, 5, 6, 7, 8 • Line - Earth(10/700us): 6KV
PoE Surge Protection	<ul style="list-style-type: none"> • Protected line: 1,2,3,4,5,6,7,8 • Common mode surge protection(10/700us): 6KV • Differential mode surge protection (10/700us): 1.5KV
EMI	<ul style="list-style-type: none"> • FCC CFR47 Part 15, EN55024, EN55032
EMS	<ul style="list-style-type: none"> • IEC61000-4-2(ESD) $\pm 6kV$(contact), $\pm 8kV$(air) • IEC61000-4-3(RS) 10V/m(80MHz~2GHz) • IEC61000-4-4(EFT) Power Port: $\pm 2kV$; Data Port:$\pm 1kV$ • IEC61000-4-5(Surge) Power Port:$\pm 1kV/DM$, $\pm 2kV/CM$ • IEC61000-4-6(CS) 10V(150kHz~80MHz)
Immunity	<ul style="list-style-type: none"> • IEC60068-2-6(Vibration) • IEC60068-2-27(Impact)



Part No.: 180817
Vendor Part No.: ALL-SGO8103P

Marks	<ul style="list-style-type: none"> • IEC60068-2-32(Free Fall) • CE • IP67 • WEEE Compliance • Protection Level: IP67 IEC60529, NEMA 250
-------	--

Attributes

Attribute	Value
Anzahl Ports PoE/LAN:	3/0
Belüftung Switch:	Lüfterlos
Einsatzort Switch:	Outdoor
Extra Features:	IP67;
LAN Geschwindigkeit:	1Gbit/s
Management:	unmanaged
PoE Budget:	<100 Watt
PoE Port Leistung:	30W at
SFP Geschwindigkeit:	SFP 1Gbit
Weight:	2.7 Kg
Warranty:	24.00 Months

Accessories

Part No.	Name
191672	ALLNET Switch unmanaged outdoor accessories Pole Mount
128033	ALLNET Switch Modul ALL4750-INDU SFP(Mini-GBIC), 1000Mbit MM
128034	ALLNET Switch Module ALL4751-INDU SFP(Mini-GBIC), 1000Mbit,
166757	ALLNET Switch Modul ALL4752-INDU SFP(Mini-GBIC), 1000Mbit, LX/LC, 20KM, Industrial, -40/+85 Grad,
140955	TP(RJ45) POE-Tester, at/af, Endspan/Midspan, standard, Synergy 21,
200926	ALLNET Switch unmanaged outdoor 3 Port Gigabit 100W zbh. M22 Blindstopfen 2er Set
205735	Installation M25x1,5 Blindstopfen 2er Set mit O-Ring



Part No.: 180817
Vendor Part No.: ALL-SGO8103P

[Click here to discover more items from this category in our shop.](#)