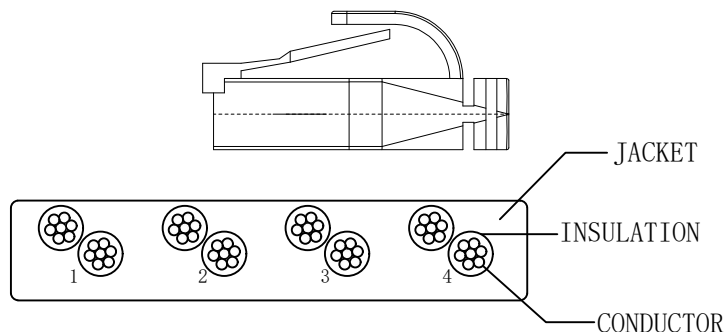
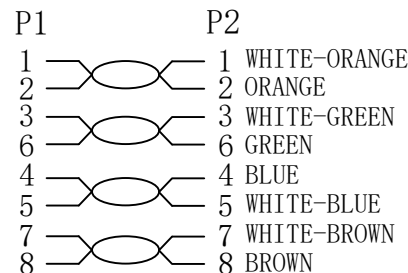


WIRING DIAGRAM



MATERIAL LIST

⑥	LABEL	NO DRY GLUE LABEL	1	
⑤	MINI TIE	PE MINI TIE (POSSESS METAL)	2	
④	BAG	SYNERGY 21 SLIP PE BAG	1	
③	OVER MOLD	PVC SEE THE CHART	2	
②	CONNECTOR	RJ45 8P8C Unshielded Plug, Pin Gold Plated 3u", <b>Transparent blue</b>	2	
①	CABLE	U/UTP CAT.6 32AWG(7/0.08BC*1P)*4PAIRS JACKET:PVC OD:T=2.0±0.2mm W=6.0±0.2MM	1	
NO.	PARTS NAME	SPECIFICATION STANDARD	QT' Y	REMARK

NOTE:

- 100% OPEN SHORT, MISS WIRE TEST
- Fluke channel test  
Test limit: ISO 11801 CHANNEL CLASS E
- Conform to the standard: ANSI/TIA 568-C.2 & EN 50173-1 & ISO/IEC 11801
- PRINT WORD: CAT.6 U/UTP FLAT CABLE 250MHz CONFORM TO ISO/IEC 11801 & EN50173-1 & ANSI/TIA-568-C.2 PVC www.Synergy21.de **CE**
- ROHS 3.0 AND REACH COMPLIANT

		"ROHS 2.0" to "ROHS 3.0"	2022-04-07	A4	<b>SYNERGY 21</b>					
		Change plug to Transparent Blue	2019-03-08	A3						
		ADD 0.15M, change grey 421C, change plug Transparent Red	2018-03-19	A2	CUSTOMER		ITEM NO.	SEE THE CHART		
		ADD "www.Synergy21.de" IN THE PRINT WORD	2016-05-24	A1	PRODUCT NAME	CAT.6 U/UTP FLAT PATCH CORD	manufacture country:	CHINA	UNIT	MM
		NEW	2014-09-24	A	DRAWN BY	CHECK BY	APPO BY	DATE		
BY	CHK	REVISION RECORD MODIFICATION	DATE	REV.	SYNERGY 21	SYNERGY 21	SYNERGY 21	2014-09-24		

COLOUR: GRAY (PANTONE 421C)		
ITEM NO.	LENGTH	PACKING
S216159V2	150±5	SYNERGY 21 BAG A
S216160V2	250±5	SYNERGY 21 BAG A
S216161V2	500±15	SYNERGY 21 BAG A
S216162V2	1000±10	SYNERGY 21 BAG A
S216163V2	2000±20	SYNERGY 21 BAG A
S216164V2	3000±30	SYNERGY 21 BAG A
S216165V2	5000±50	SYNERGY 21 BAG A
S216166V2	7500±75	SYNERGY 21 BAG A
S216167V2	10000±100	SYNERGY 21 BAG B

COLOUR: WHITE		
ITEM NO.	LENGTH	PACKING
S216169V2	150±5	SYNERGY 21 BAG A
S216170V2	250±5	SYNERGY 21 BAG A
S216171V2	500±15	SYNERGY 21 BAG A
S216172V2	1000±10	SYNERGY 21 BAG A
S216173V2	2000±20	SYNERGY 21 BAG A
S216174V2	3000±30	SYNERGY 21 BAG A
S216175V2	5000±50	SYNERGY 21 BAG A
S216176V2	7500±75	SYNERGY 21 BAG A
S216177V2	10000±100	SYNERGY 21 BAG B

COLOUR: BLACK		
ITEM NO.	LENGTH	PACKING
S216179V2	150±5	SYNERGY 21 BAG A
S216180V2	250±5	SYNERGY 21 BAG A
S216181V2	500±15	SYNERGY 21 BAG A
S216182V2	1000±10	SYNERGY 21 BAG A
S216183V2	2000±20	SYNERGY 21 BAG A
S216184V2	3000±30	SYNERGY 21 BAG A
S216185V2	5000±50	SYNERGY 21 BAG A
S216186V2	7500±75	SYNERGY 21 BAG A
S216187V2	10000±100	SYNERGY 21 BAG B

# SYNERGY 21

		CUSTOMER		ITEM NO.		SEE THE CHART	
		PRODUCT NAME		CAT.6 U/UTP FLAT PATCH CORD		manufacture country:	
		NEW		2014-09-24		CHINA	
		BY		CHK		REVISION RECORD MODIFICATION	
		DATE		REV.		SYNERGY 21	
		DRAWN BY		CHECK BY		APPO BY	
		SYNERGY 21		SYNERGY 21		SYNERGY 21	
		UNIT		DATE		2014-09-24	
		MM					