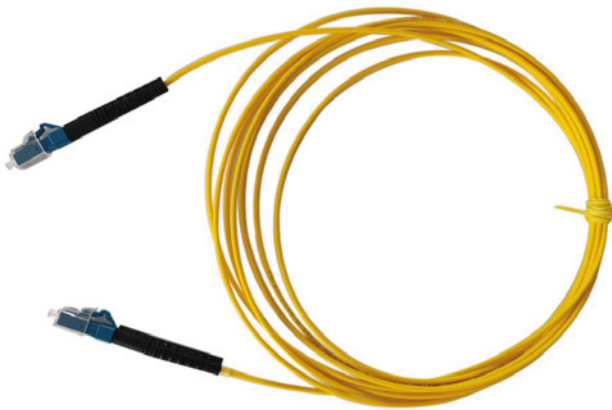


## LWL-1-Faser-Patchkabel LC/UPC-LC/UPC, 9/125u, OS2, G657A2, AD=2mm, flexible Knickschutztülle, Synergy21



| Hersteller-nummer | Länge in m | Hersteller-nummer | Länge in m | Hersteller-nummer | Länge in m | Hersteller-nummer | Länge in m |
|-------------------|------------|-------------------|------------|-------------------|------------|-------------------|------------|
| S217800           | 0,20       | S217811           | 0,85       | S217822           | 1,70       | S217833           | 6,00       |
| S217801           | 0,30       | S217812           | 0,90       | S217823           | 1,80       | S217834           | 7,00       |
| S217802           | 0,40       | S217813           | 0,95       | S217824           | 1,90       | S217835           | 8,00       |
| S217803           | 0,45       | S217814           | 1,00       | S217825           | 2,00       | S217836           | 9,00       |
| S217804           | 0,50       | S217815           | 1,05       | S217826           | 2,20       | S217837           | 10,00      |
| S217805           | 0,55       | S217816           | 1,10       | S217827           | 2,50       | S217838           | 15,00      |
| S217806           | 0,60       | S217817           | 1,15       | S217828           | 3,00       | S217839           | 20,00      |
| S217807           | 0,65       | S217818           | 1,20       | S217829           | 3,50       | S217840           | 30,00      |
| S217808           | 0,70       | S217819           | 1,25       | S217830           | 4,00       |                   |            |
| S217809           | 0,75       | S217820           | 1,50       | S217831           | 4,50       |                   |            |
| S217810           | 0,80       | S217821           | 1,60       | S217832           | 5,00       |                   |            |

### Product features

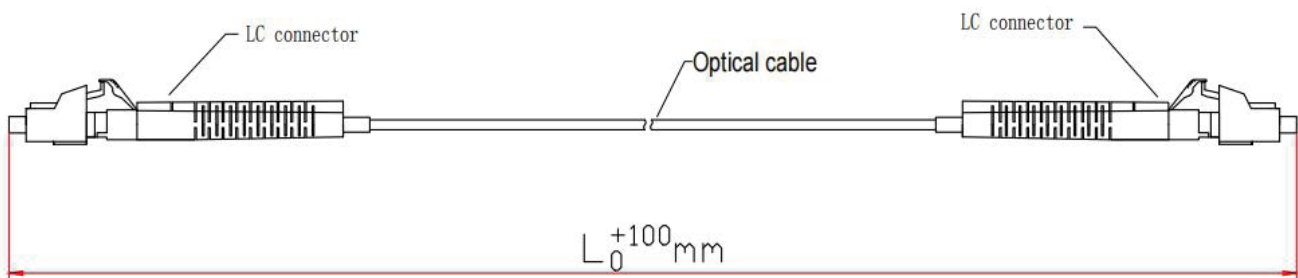
- Low insertion loss and high return loss
- Excellent endface geometry parameter
- Special specification available upon customer's

## Applications

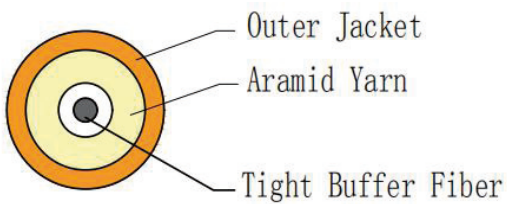
- Data transmission Networks
- Image transmission Networks
- CATV
- Optical test instrument
- Photoelectric automatic control system

## Product Sketch Map

Patch cord:



Optical cable:



## Optical Performance

| Project              | Spec.                        | Standard                            |
|----------------------|------------------------------|-------------------------------------|
| Operating wavelength | 1260~1650nm                  |                                     |
| Attenuation          | ≤0.36-1310nm<br>≤0.25-1550nm |                                     |
| Insertion loss       | ≤0.2dB(Max.)                 | Follow GR326-COR E and IEC Standard |
| Return loss          | ≥50dB                        |                                     |
| Repeatability        | ≤0.1dB                       |                                     |
| Interchangeability   | ≤0.1dB                       |                                     |

## Material Characteristics

| Project             | Spec.       | Standard                     |
|---------------------|-------------|------------------------------|
| Fiber Typ           | G657A1      |                              |
| Cable Diameter      | 2.0±0.1mm   |                              |
| Out of roundness    | ≤5%         | Follow ROHS and IEC Standard |
| Cable Material      | LSZH or PVC |                              |
| Cable Color         | Gelb        |                              |
| Working temperature | -40°+85°C   |                              |

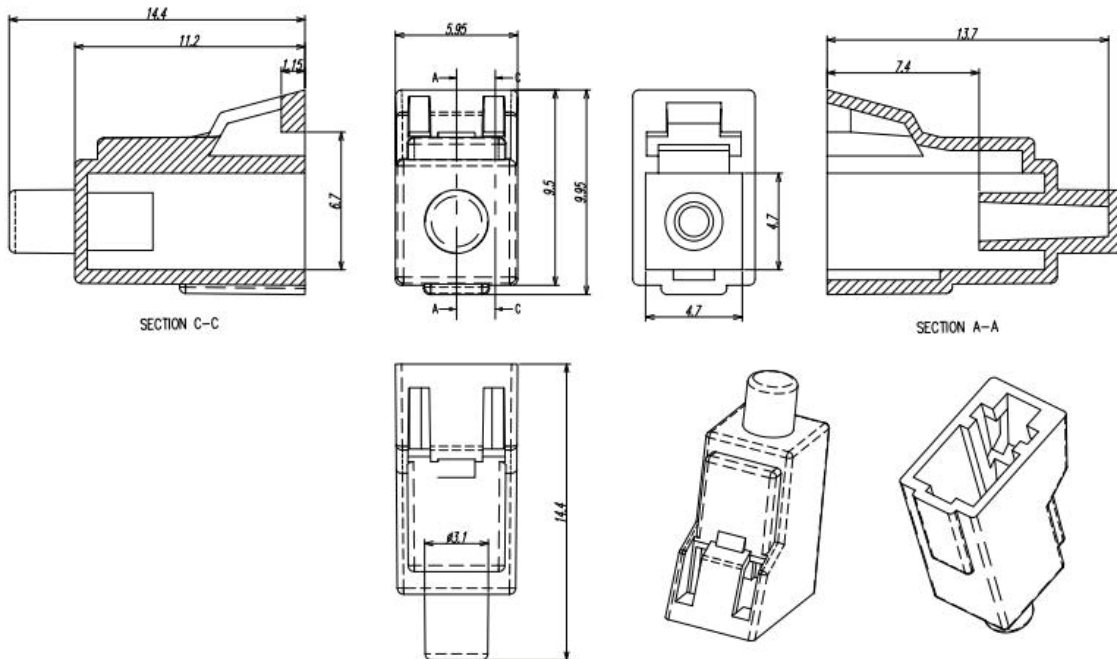
## Environmental performance

| Project          | Test condition                           | Index      |           |
|------------------|------------------------------------------|------------|-----------|
| High temperature | 85°C, 96H                                | ΔIL≤0.15dB | ΔRL≤3.0dB |
| Low temperature  | -40°C, 96H                               | ΔIL≤0.15dB | ΔRL≤3.0dB |
| Loop             | -40°~+85°C, 3.5H/Cycle, 40x loop         | ΔIL≤0.15dB | ΔRL≤3.0dB |
| Hot and humid    | 110°C, 90%RH, 2 atmospheric pressure 96H | ΔIL≤0.15dB | ΔRL≤3.0dB |
| Immersion        | 43°C, PH5.5, 168H                        | ΔIL≤0.15dB | ΔRL≤3.0dB |

## Mechanische Eigenschaften

| Project   | Test condition                                                             | Index      |           |
|-----------|----------------------------------------------------------------------------|------------|-----------|
| To attack | 1.8m, three axial, 8 times / axial                                         | ΔIL≤0.15dB | ΔRL≤3.0dB |
| Vibration | 10 to 50HZ, 45 times /min, amplitude 0.75mm, three axial. Each axial 30min | ΔIL≤0.15dB | ΔRL≤3.0dB |
| Reverse   | Distance machine 20 to 28cm, + 180 degrees, 6s/ times, 25 times            | ΔIL≤0.15dB | ΔRL≤3.0dB |
| Tensile   | The distance from the plug is 20 to 28cm, 1min, and the load is 40N        | ΔIL≤0.15dB | ΔRL≤3.0dB |

## Transparent one-piece dust cap



## Bendable Boot

