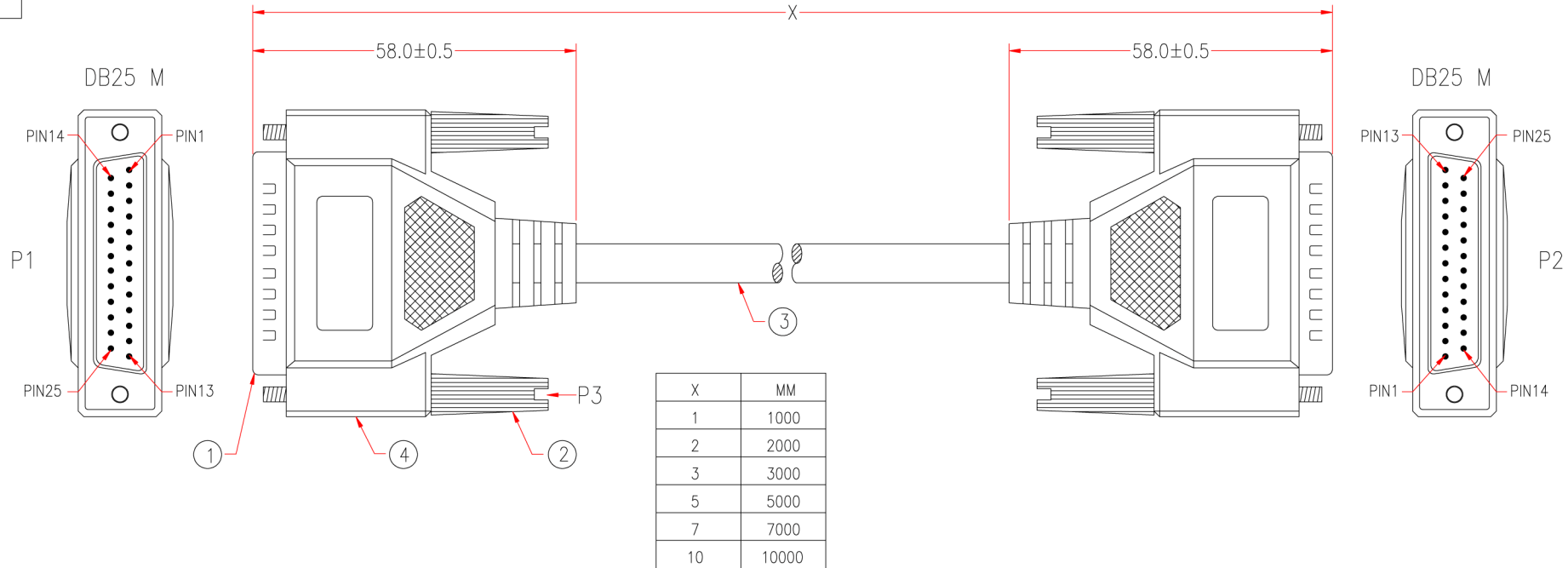


P1,P2: M-Y222E
M-222E
P3: M-426E

Customer No: No.6



NOTE: All relevant materials are complied with RoHS directive .

2003					
	P1	P2	P1	P2	
BROWN	1	1	14	14	BROWN/BLACK
RED	2	2	15	15	RED/BLACK
ORANGE	3	3	16	16	ORANGE/BLACK
PINK	4	4	17	17	PINK/BLACK
YELLOW	5	5	18	18	YELLOW/BLACK
GREEN	6	6	19	19	GREEN/BLACK
LIGHT GREEN	7	7	20	20	LIGHT GREEN/BLACK
BLUE	8	8	21	21	BLUE/BLACK
LIGHT BLUE	9	9	22	22	LIGHT BLUE/BLACK
PURPLE	10	10	23	23	PURPLE/BLACK
GREY	11	11	24	24	GREY/BLACK
WHITE	12	12	25	25	WHITE/BLACK
BLACK	13	13	SHIELD	SHIELD	

No.	DESCRIPTION	Q'TY	Supplier
4	BLACK PVC TUBE ϕ 3.0*30mm	2	M743
	ALUMINUM FOIL 33*110mm	2	M379
	MOLDED PE COLOR TRANSPARENT		TWN
	MOLDED PVC BEIGE		M304
3	NON-UL 25C 28AWG, ALUM-MYLAR FOIL SHIELDING WITH DRAIN WIRE, OD 7.0mm, JACKET BEIGE, DRAWING No. EMAL2825C-095	Xmm	M304
2	MOLDED THUMBSCREW #4-40, LENGTH 46.5mm, BEIGE	4	M95
1	DB25 MALE, GOLD FLASH ON CONTACTS, WHITE INSULATOR	2	M83

PART NO. 2003-xM		Revision:		Cable Length Unless Other Spec. Tolerances: 0 ~200mm ±10mm 201~1000mm ±20mm 1001 ~1500mm ±25mm 1501~2100mm ±30mm 2100mm↑ ±40mm
APPROVED				
CHECKED	TIAN			
DRAWING	SUSAN			
DATE	17/FEB/06	ITEM NO.	EK137.X	UNIT:mm

CHECKED

