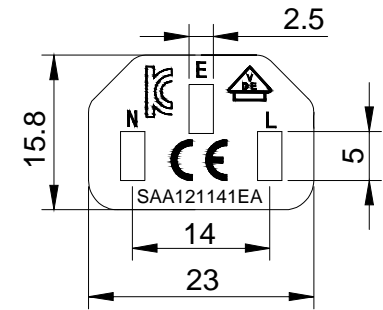
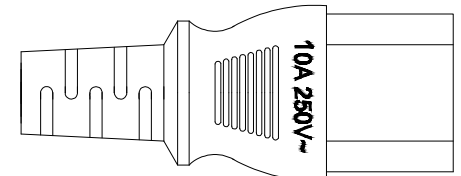
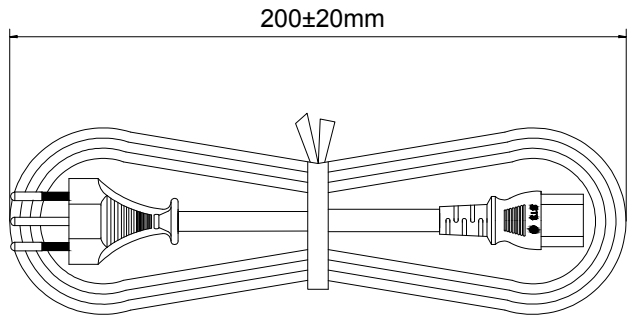
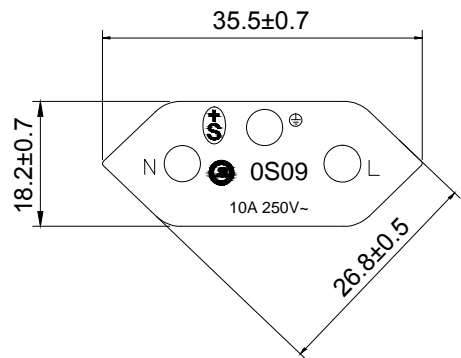
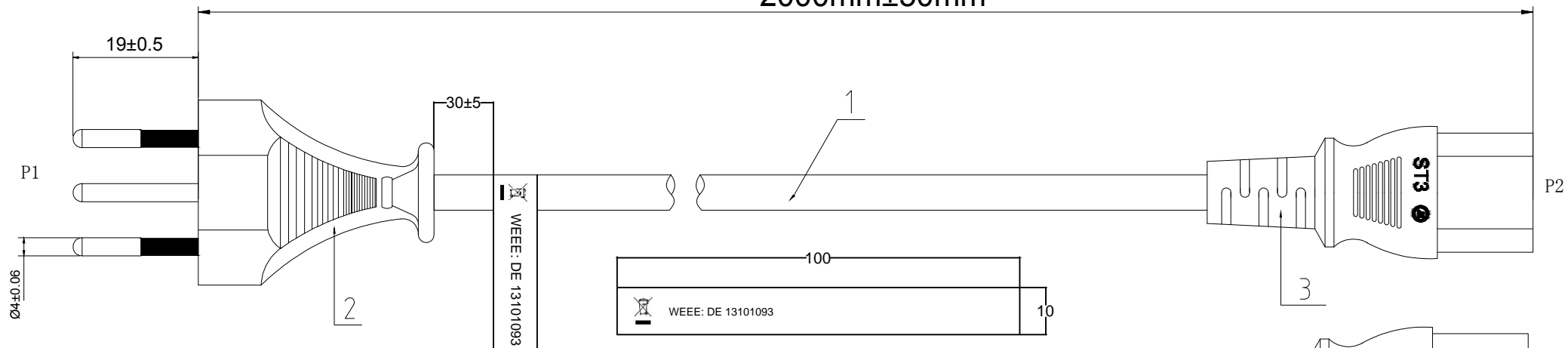


2000mm±50mm



CONF IGURATION:  
 P1 green/yellow P2  
 E brown E  
 L blue L  
 N blue N



**MATERIAL LIST:**

③	P2	IEC 60320/C13:3PIN POWER FEMALE 10A 250V, MOLD BLACK PVC	1	
②	P1	Schweiz Typel2:3PIN POWER MALE 10A 250V, MOLD BLACK PVC	1	
①	CABLE	H05VV-F 3G0.75mm <sup>2</sup> X2.0M, PVC JACKET OD:6.5±0.2MM	1	
NO.	PARTS NAME	SPECIFICATION STANDARD	QT' Y	REMARK

NOTE:  
 1: TESTING:100% OPEN SHORT AND MISS WIRE  
 2. ROHS2.0 COMPLIANT

NEW						SYNERGY 21								
			2019-02-19			A			CUSTOMER			ITEM NO. S215444		
			DATE			REV.			PRODUCT NAME			Schweiz Type12 male to IEC 60320/C13 female		
			2019-02-19			A			DRAWNBY			SYNERGY 21		
			2019-02-19			A			CHECKBY			SYNERGY 21		
			2019-02-19			A			APPOBY			SYNERGY 21		
			2019-02-19			A			DATE			2019-02-19		
BY			CHK			REVISION RECORD MODIFICATIONS			SYNERGY 21			SYNERGY 21		