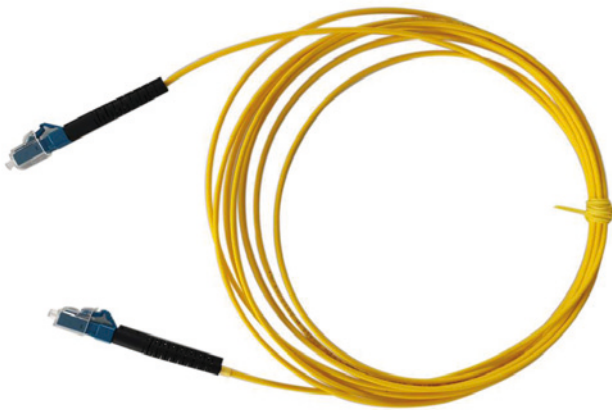


## LWL-1-Faser-Patchkabel LC/UPC-LC/UPC, 9/125u, OS2, G657A2, AD=2mm, flexible Knickschutztülle, Synergy21



Hersteller-nummer	Länge in m	Hersteller-nummer	Länge in m	Hersteller-nummer	Länge in m	Hersteller-nummer	Länge in m
S217800	0,20	S217811	0,85	S217822	1,70	S217833	6,00
S217801	0,30	S217812	0,90	S217823	1,80	S217834	7,00
S217802	0,40	S217813	0,95	S217824	1,90	S217835	8,00
S217803	0,45	S217814	1,00	S217825	2,00	S217836	9,00
S217804	0,50	S217815	1,05	S217826	2,20	S217837	10,00
S217805	0,55	S217816	1,10	S217827	2,50	S217838	15,00
S217806	0,60	S217817	1,15	S217828	3,00	S217839	20,00
S217807	0,65	S217818	1,20	S217829	3,50	S217840	30,00
S217808	0,70	S217819	1,25	S217830	4,00		
S217809	0,75	S217820	1,50	S217831	4,50		
S217810	0,80	S217821	1,60	S217832	5,00		

### Product features

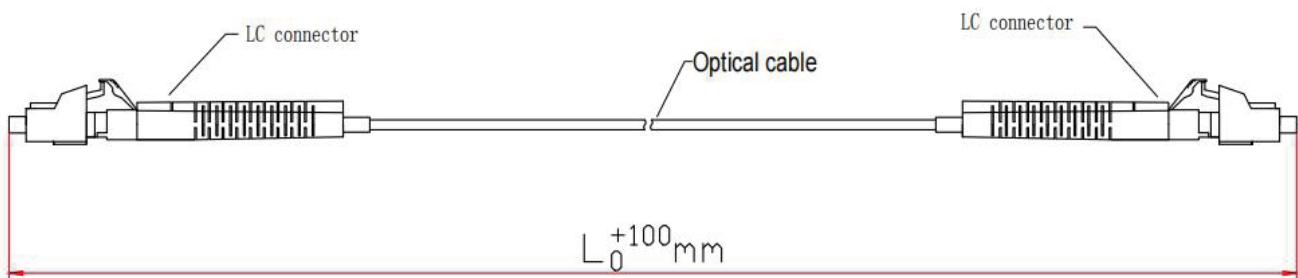
- Low insertion loss and high return loss
- Excellent endface geometry parameter
- Special specification available upon customer's

## Applications

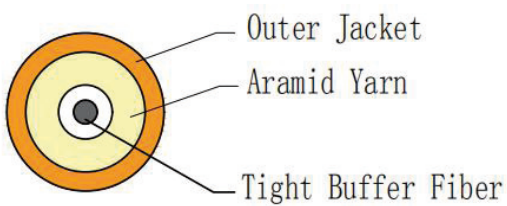
- Data transmission Networks
- Image transmission Networks
- CATV
- Optical test instrument
- Photoelectric automatic control system

## Product Sketch Map

Patch cord:



Optical cable:



## Optical Performance

Project	Spec.	Standard
Operating wavelength	1260~1650nm	
Attenuation	≤0.36-1310nm ≤0.25-1550nm	
Insertion loss	≤0.2dB(Max.)	Follow GR326-COR E and IEC Standard
Return loss	≥50dB	
Repeatability	≤0.1dB	
Interchangeability	≤0.1dB	

## Material Characteristics

Project	Spec.	Standard
Fiber Typ	G657A1	
Cable Diameter	2.0±0.1mm	
Out of roundness	≤5%	Follow ROHS and IEC Standard
Cable Material	LSZH or PVC	
Cable Color	Gelb	
Working temperature	-40°+85°C	

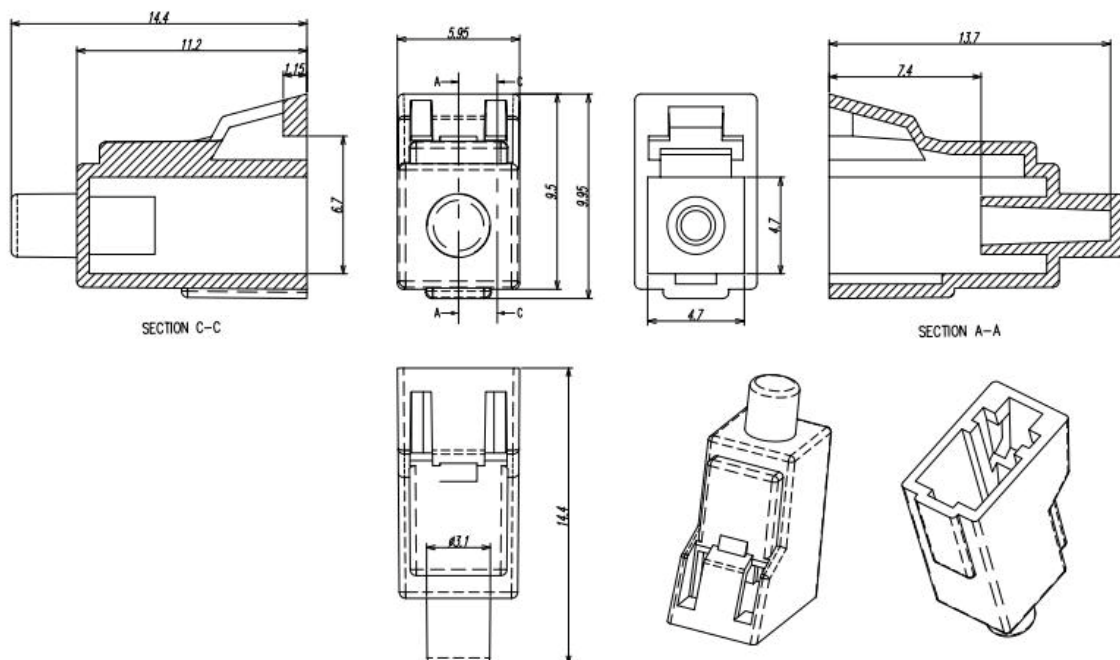
## Environmental performance

Project	Test condition	Index	
High temperature	85°C, 96H	ΔIL≤0.15dB	ΔRL≤3.0dB
Low temperature	-40°C, 96H	ΔIL≤0.15dB	ΔRL≤3.0dB
Loop	-40°~+85°C, 3.5H/Cycle, 40x loop	ΔIL≤0.15dB	ΔRL≤3.0dB
Hot and humid	110°C, 90%RH, 2 atmospheric pressure 96H	ΔIL≤0.15dB	ΔRL≤3.0dB
Immersion	43°C, PH5.5, 168H	ΔIL≤0.15dB	ΔRL≤3.0dB

## Mechanische Eigenschaften

Project	Test condition	Index	
To attack	1.8m, three axial, 8 times / axial	ΔIL≤0.15dB	ΔRL≤3.0dB
Vibration	10 to 50HZ, 45 times /min, amplitude 0.75mm, three axial. Each axial 30min	ΔIL≤0.15dB	ΔRL≤3.0dB
Reverse	Distance machine 20 to 28cm, + 180 degrees, 6s/ times, 25 times	ΔIL≤0.15dB	ΔRL≤3.0dB
Tensile	The distance from the plug is 20 to 28cm, 1min, and the load is 40N	ΔIL≤0.15dB	ΔRL≤3.0dB

## Transparent one-piece dust cap



## Bendable Boot

