

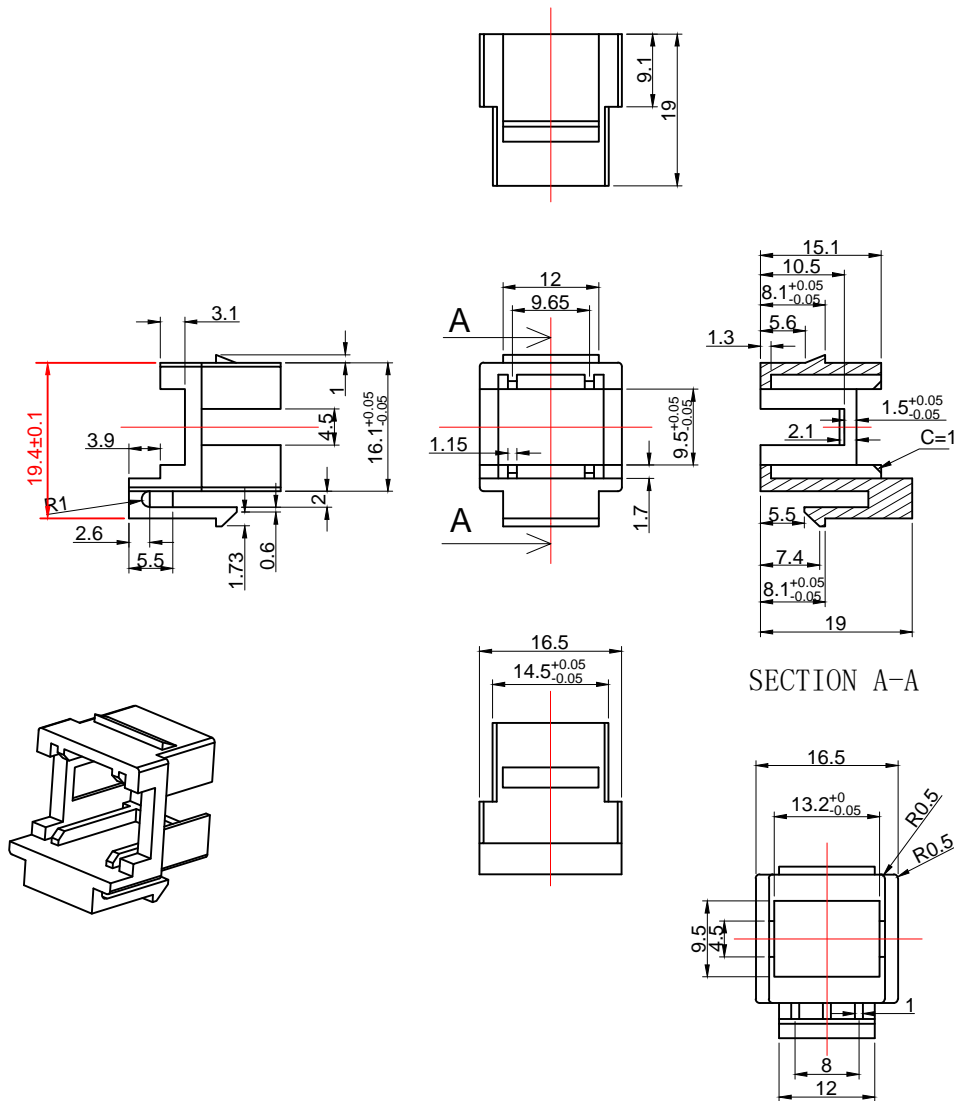
Technical requirement:

1. Unmarked tolerance dimension on the basis of SJ/T10628 - 1995 6 grade;
2. ROHS 2.0 AND REACH COMPLIANT
3. Accessory:
 - double faced adhesive tape-----1pcs
 - Nylon cable ties 2.5*80mm-----1pcs
4. Packing: 1PC/PE bag+label

MATERIAL LIST:

③	SCREW	ST4*20MM	1	
②	Base	ABS White RAL 9003	1	
①	roof cover	ABS White RAL 9003	1	
NO	MAT. NAME	DESCRIPTION	QT'Y	REMARK

SYNERGY 21									
CUSTOMER				ITEM NO.		S216347			
PRODUCT NAME		Surface Mount Box 1port		manufacture country		CHINA		UNIT	MM
NEW			2018-10-17		A	DRAWNBY		CHECKBY	
BY	CHK	REVISION RECORD MODIFICATIONS			DATE	REV.	SYNERGY 21		SYNERGY 21
						APPOBY		DATE	
						SYNERGY 21		2018-10-17	



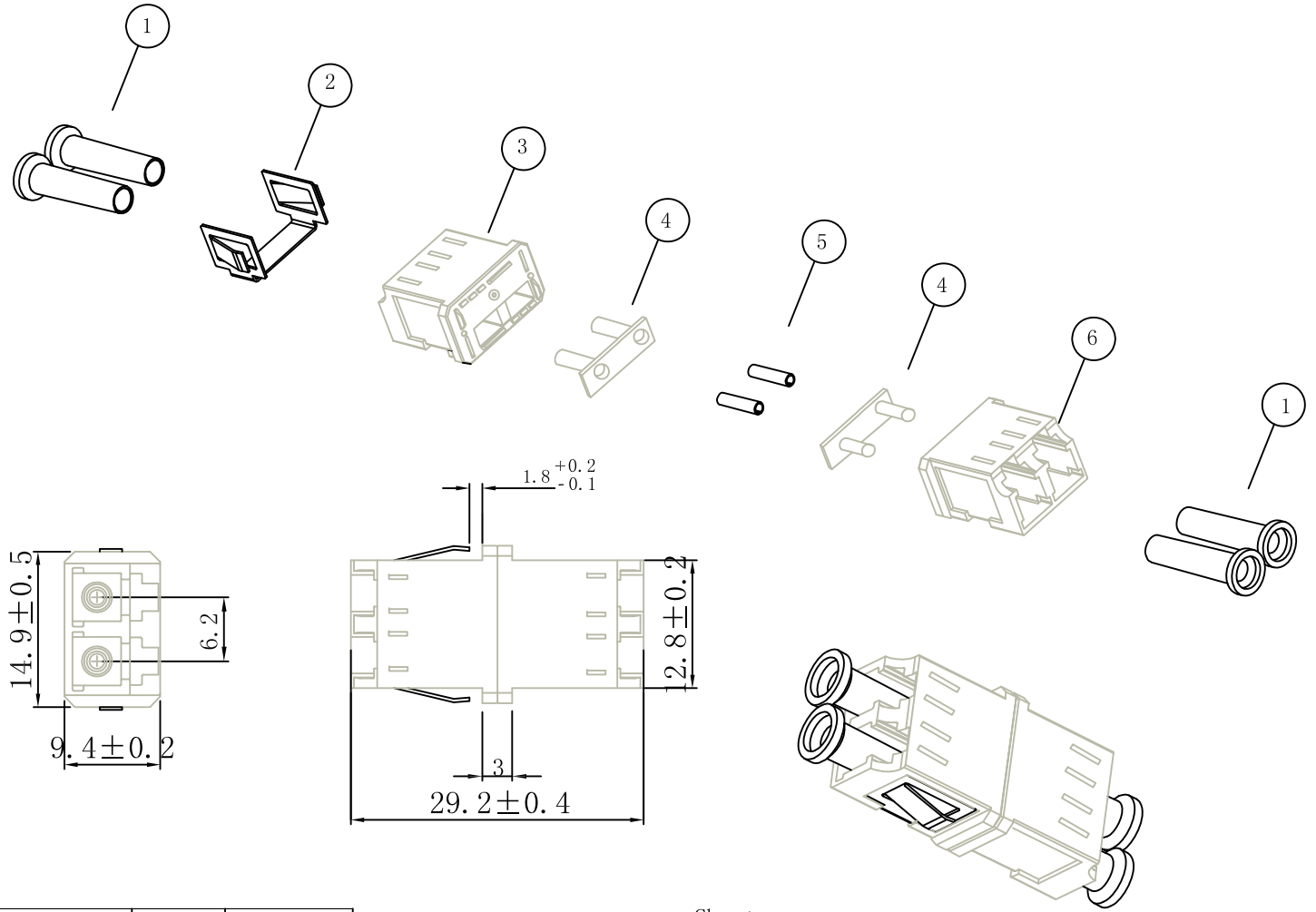
SECTION A-A

NOTES:

1. ABS Black
2. Keystone for LC duplex/SC simplex no flange Adapte
2. Packing:1pc/PE Bag+Lable
3. ROHS2.0 AND REACH COMPLIANT

SYNERGY 21					
CUSTOMER		ITEM NO.	S215479		
PRODUCT NAME	Keystone adapter	manufacture country:	CHINA	UNIT	MM
DRAWNBY	CHECKBY	APPOBY	DATE		
SYNERGY 21	SYNERGY 21	SYNERGY 21	2017-05-03		

BY	CHK	REVISION RECORD MODIFICATIONS	DATE	REV.
		NEW	2017-05-03	A



NOTE:
RoHS 2.0 & Reach COMPLIANT

Insertion Loss(dB)	≤0.20
Operating Temperature(° C)	-40 ~+80
Storage Temperature(° C)	-40 ~+85

MATERIAL LIST:

⑥	LC beige Body (SC simplex footprint)	1pcs	
⑤	LC Sleeve ceramic(Multi-Mode)	1pcs	
④	Beige bush	2pcs	
③	LC beige Body (SC simplex footprint)	1pcs	
②	LC Metal Mount	1pcs	
①	LC White Dust Cap	4pcs	
NO.	SPECIFICATION STANDARD	QT' Y	REMARK

Chart:

NO.	ITEM NO.	EAN Number
1	S215480	4038816064547

SYNERGY 21												
CUSTOMER				ITEM NO. See the chart			PRODUCT NAME			LC MM beige(ceramic)Duplex Plastic Adapter(SC SX Footprint) w/o flange		
DRAWNBY		CHECKBY		APPOBY		DATE		manufacture country		CHINA	UNIT	MM
BY	CHK	NEW		2017-4-25	A	SYNERGY 21	SYNERGY 21	SYNERGY 21	2017-4-25			
REVISION RECORD MODIFICATIONS				DATE	REV.							