

LOGO: **SYNERGY 21**®

PANEL COLOUR GRAY: "1" for black printing The pantone of Color is blackC  
 "SYNERGY 2" ® " " for blue printing The pantone of Color is 298C

PANEL COLOUR BLACK: "1" for blue printing The pantone of Color is 298C  
 "SYNERGY 2" ® " " for silver printing The pantone of Color is 877C

MATERIAL LIST:

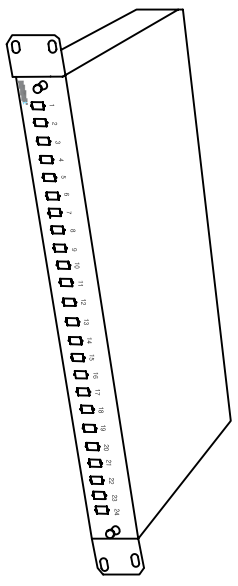
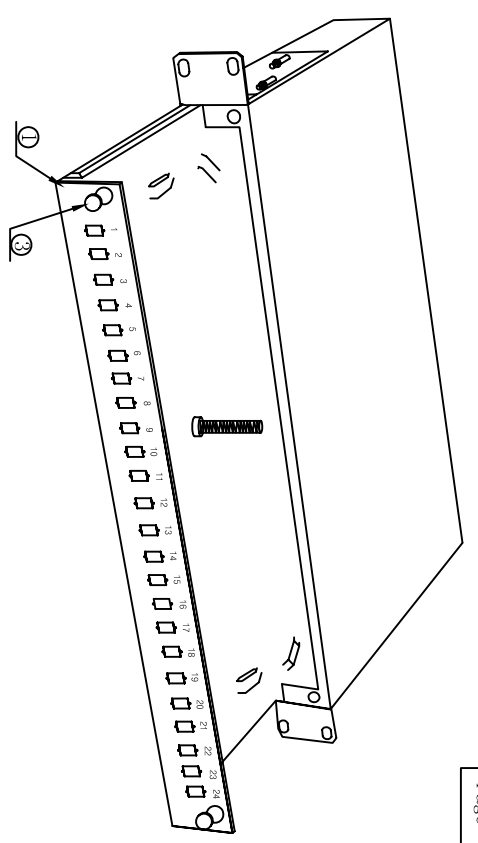
③	Push pin	ABS 0015.8	2	
②	Upper Panel Cover	1.2mm thickness Metallic Panel (SPCC)	1	
①	Bottom Panel	1.2mm thickness Metallic Panel (SPCC)	1	
NO.	PARTS NAME	SPECIFICATION DESCRIPTION	QTY	REMARK

**SYNERGY 21**

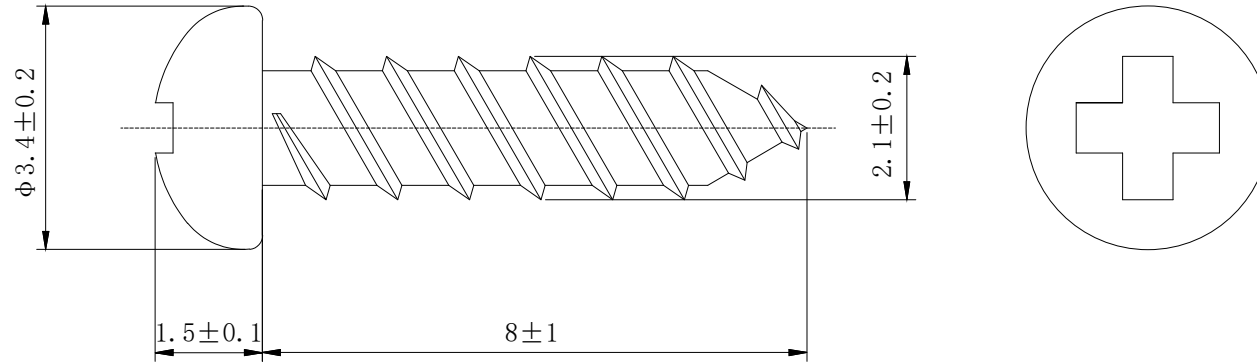
CUSTOMER	PRODUCT NAME	ITEM NO.	SEE THE CHART
	19" Fiber Optic Patch Panel, 1U" sliding type 24 LC duplex /24 SC SIMPLEX		
DRAWNBY	CHECKBY	APPOBY	DATE

ITEM NO	COLOR
S216299	BlackRAL9005
S216298	Gray RAL7035

1 2 3 4 .....24 fontfamily: Arial  
 Accessory:Screw and Nut M6\*18mm\*4set  
 Dust cap SC DX type\*24pcs  
 Cable connector PG13.5\*4pcs  
 ROHS2.0 AND REACH COMPLIANT  
 PACKING: 1PCS/Panel box



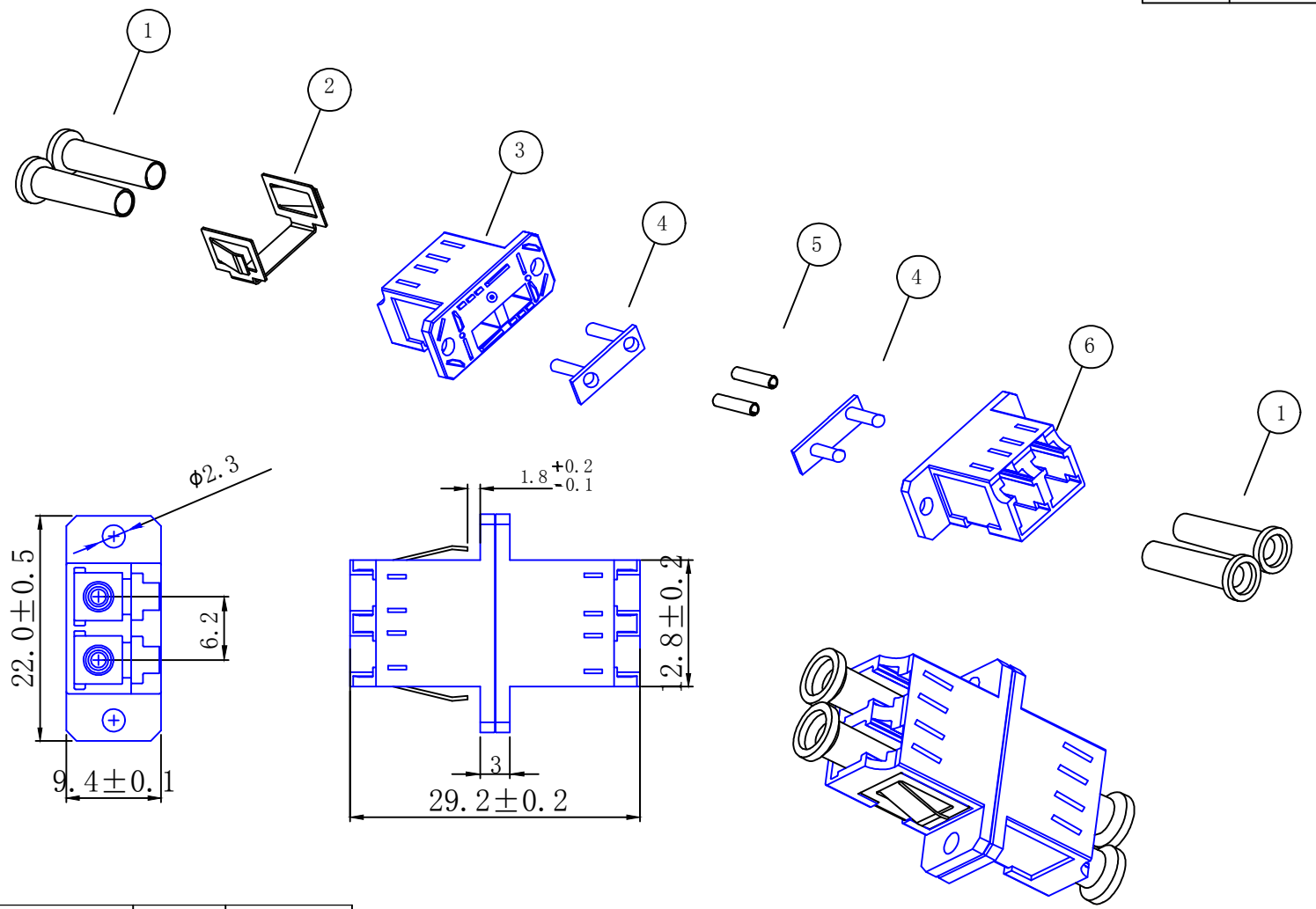
BY	CHK	REVISION RECORD MODIFICATIONS	DATE	REV.	SYNERGY 21	SYNERGY 21	SYNERGY 21	2013.10.08
		UPDATE METALLIC	2013.10.30	A1				
		NEW	2013.10.08	A				



Note:  
 Material: Metal zinc plating  
 Screw drivers: PHILLIPS  
 RoHS 2.0 and REACH Compliant  
 SinglePack: 1 unit/PE bag(100pcs=1 unit)+label; SubPack: no; Carton +labelx2;

SYNERGY 21				
CUSTOMER		ITEM NO.	S216315V2	
PRODUCT NAME	Screw ST 2.0*8mm	manufacture country	CHINA	UNIT mm

		NEW	2022-01-05	A	DRAWNBY	CHECKBY	APPOBY	DATE
BY	CHK	REVISION RECORD MODIFICATIONS	DATE	REV.	SYNERGY 21	SYNERGY 21	SYNERGY 21	2022-01-05



NOTE:  
RoHS 2.0 & Reach COMPLIANT

Insertion Loss(dB)	≤0.20
Operating Temperature(° C)	-40 ~+80
Storage Temperature(° C)	-40 ~+85

PACKING:1PC/PE BAG + TEST REPORT +LABEL

**MATERIAL LIST:**

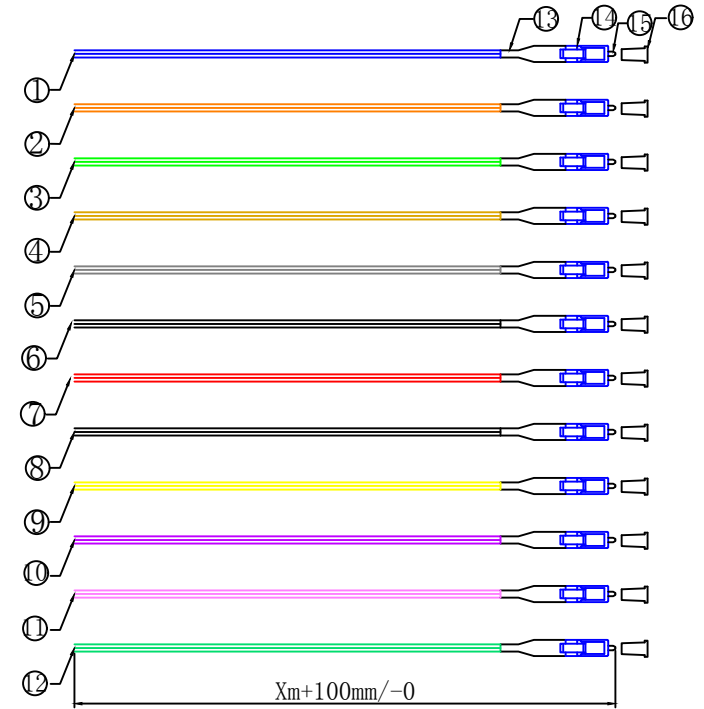
⑥	LC Blue Plastic body (SC simplex footprint)	1pcs	
⑤	LC Sleeve <b>ceramic</b> (Single-Mode)	1pcs	
④	Blue bush	2pcs	
③	LC Blue Plastic body (SC simplex footprint)	1pcs	
②	LC Metal Mount	1pcs	
①	LC White Dust Cap	4pcs	
NO.	SPECIFICATION STANDARD	QT' Y	REMARK

BY	CHK	NEW	2016-11-18	A
		REVISION RECORD MODIFICATIONS	DATE	REV.

SYNERGY 21					
CUSTOMER		ITEM NO.	S215426		
PRODUCT NAME	LC SM(ceramic)Duplex Plastic Adapter(SC SX Footprint)	manufacture country	CHINA	UNIT	MM
	DRAWNBY	CHECKBY	APPOBY	DATE	
	SYNERGY 21	SYNERGY 21	SYNERGY 21	2016-11-18	

NOTE:

- 1.The primary coating and secondary coating have the same color
- 2.Loose buffered, easy strip type at least 1m
- 3.ROHS 2.0 and REACH compliant



MATERIAL LIST:

⑬	LC White Dust Cap	12	
⑮	LC/ UPC SM Ferrule	12	
⑭	LC SM Blue 0.9 Connector	12	
⑬	LC 0.9 White Boot	12	
⑫	Fiber Cable LOOSE TUBE SM 9/125 G657.A2 0.9mm TURQUOISE LSZH	Xm	
⑪	Fiber Cable LOOSE TUBE SM 9/125 G657.A2 0.9mm PINK LSZH	Xm	
⑩	Fiber Cable LOOSE TUBE SM 9/125 G657.A2 0.9mm VIOLET LSZH	Xm	
⑨	Fiber Cable LOOSE TUBE SM 9/125 G657.A2 0.9mm YELLOW LSZH	Xm	
⑧	Fiber Cable LOOSE TUBE SM 9/125 G657.A2 0.9mm BLACK LSZH	Xm	
⑦	Fiber Cable LOOSE TUBE SM 9/125 G657.A2 0.9mm RED LSZH	Xm	
⑥	Fiber Cable LOOSE TUBE SM 9/125 G657.A2 0.9mm WHITE LSZH	Xm	
⑤	Fiber Cable LOOSE TUBE SM 9/125 G657.A2 0.9mm GREY LSZH	Xm	
④	Fiber Cable LOOSE TUBE SM 9/125 G657.A2 0.9mm BROWN LSZH	Xm	
③	Fiber Cable LOOSE TUBE SM 9/125 G657.A2 0.9mm GREEN LSZH	Xm	
②	Fiber Cable LOOSE TUBE SM 9/125 G657.A2 0.9mm ORANGE LSZH	Xm	
①	Fiber Cable LOOSE TUBE SM 9/125 G657.A2 0.9mm BLUE LSZH	Xm	
NO.	SPECIFICATION STANDARD	QT* Y	REMARK

Grade Designation:Each to Reference

Type	Single-Mode
Insertion Loss	≤0.3dB (IEC 61300-3-4)
Return Loss	≥50dB (IEC 61300-3-6)
Test Wavelength	1310nm


ITEM NO.	Length
S215475V2	2.0m

SYNERGY21

		CUSTOMER				ITEM NO.		See the chart			
		PRODUCT NAME		Pigtail LC/UPC SM 9/125 μm 12 different colours 0.9		manufacture country:		CHINA	UNIT	MM	
		DATE		A		DRAWNBY		CHECKBY		APPOBY	DATE
BY	CHK	NEW REVISION RECORD MODIFICATIONS				DATE	REV.	SYNERGY21	SYNERGY21	SYNERGY21	2021-12-03

### SYNERGY 21

#### TEST REPORT

Batch No.		Attention: Please clean the fiber surfaces! Achtung: Bitte reinigen Sie Steckerschnittflächen! 
Artikel NO.		
ITEM Number		
Description		

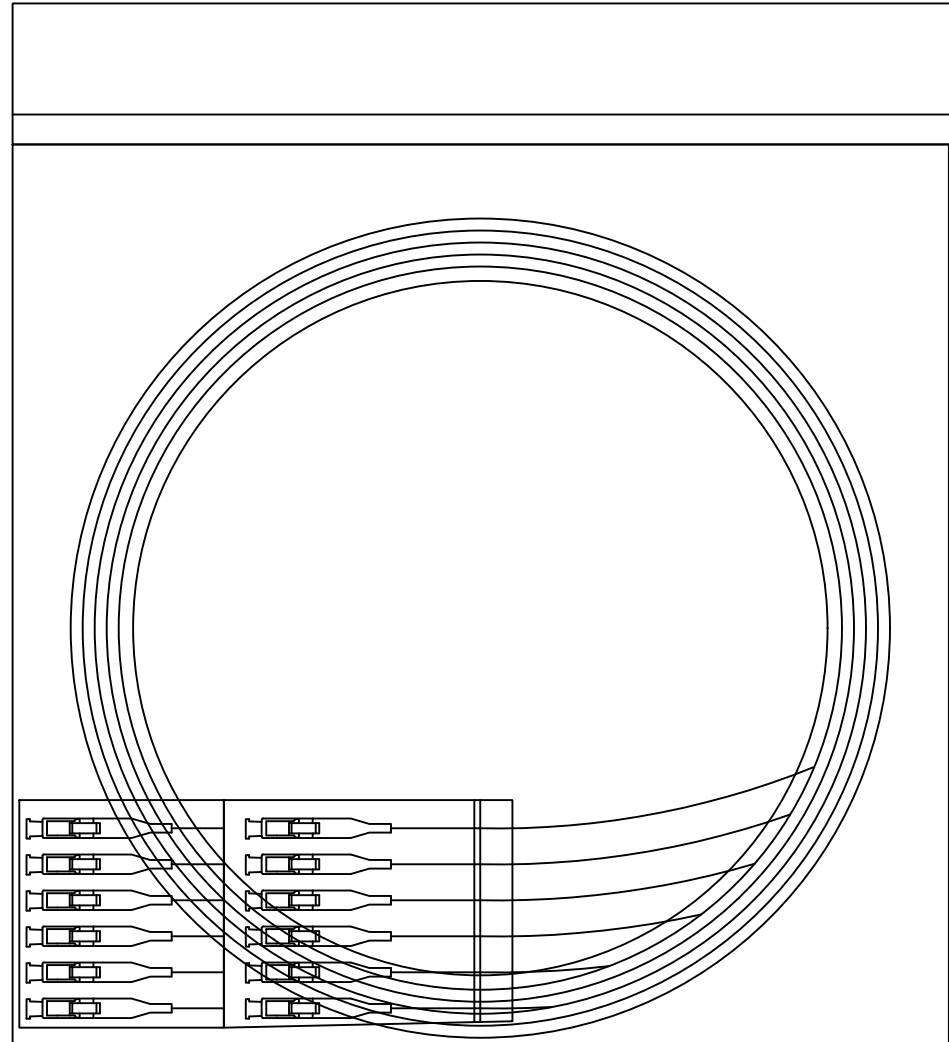
#### Notes

Min. Bending Radius (mm)	Static: 10*D Dynamic: 20*D	D: Cable Diameter
Fiber Type	G657.A2	Must be the same type of fiber to splice.
Index of Refraction	1310nm: 1550nm:	

#### TEST VALUES

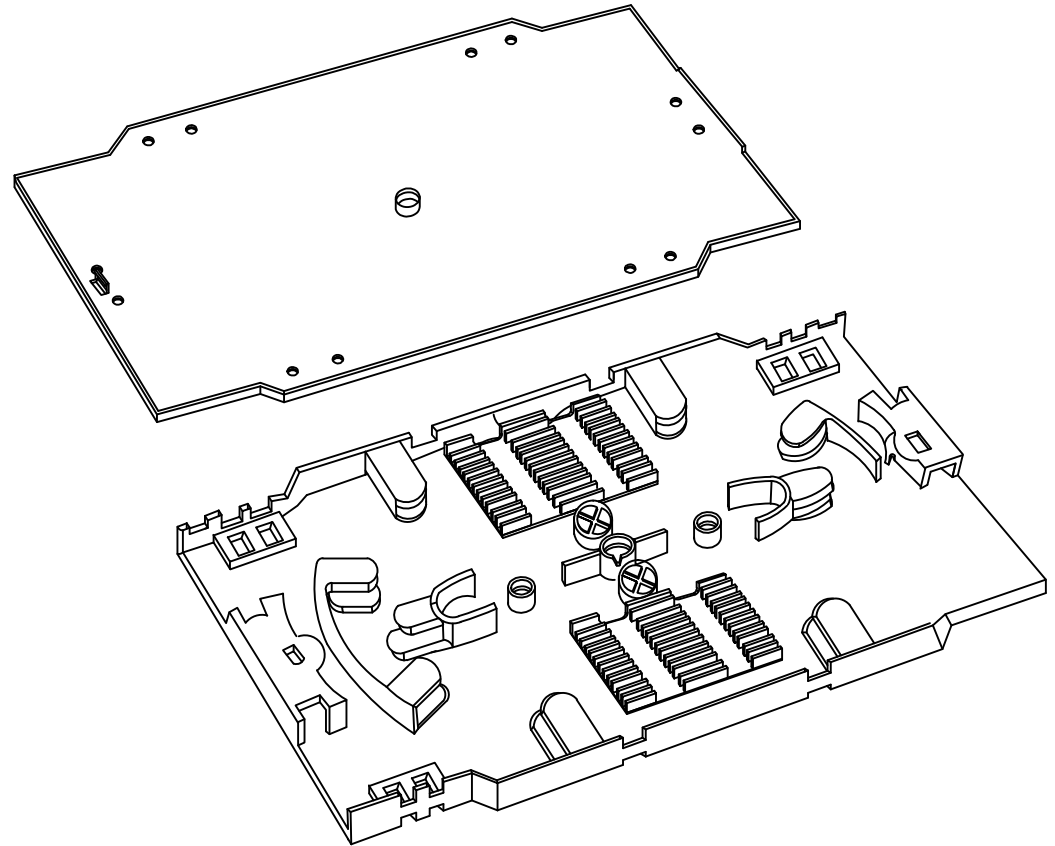
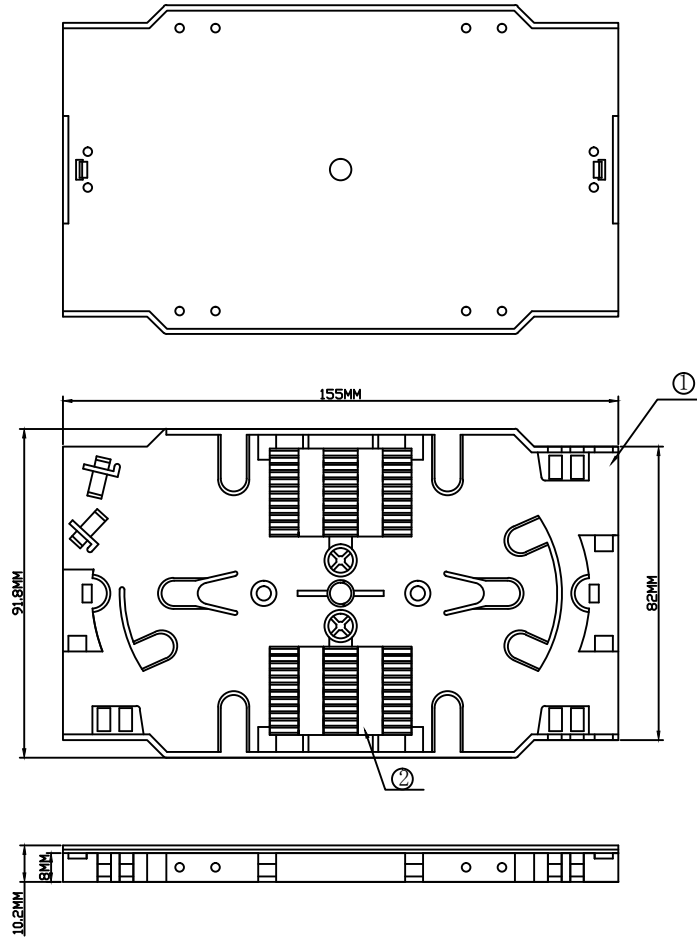
Standard (Each to Reference)		Allow Loss $\lambda=1310nm$		
		Insertion Loss (IBC 61300-3-4)	< 0.30dB	Return Loss (IBC 61300-3-6) UPC > 50dB
1	blue			
2	orange			
3	green			
4	brown			
5	grey			
6	white			
7	red			
8	black			
9	yellow			
10	violet			
11	pink			
12	turquoise			
<b>RESULT</b>		<b>OK</b>		

Packing: 1pc/SYNERGY 21 Bag A+test report, 20pcs/Inner carton, 80pcs/Outer carton



### SYNERGY21

		CUSTOMER				ITEM NO.	See the chart		
		PRODUCT NAME	Pigtail LC/UPC SM 9/125 $\mu m$ 12 different colours 0.9			manufacture country:	CHINA	UNIT	MM
		NEW		2021-12-03	A	DRAWNBY	CHECKBY	APPOBY	DATE
BY	CHK	REVISION RECORD MODIFICATIONS			DATE	REV.	SYNERGY21	SYNERGY21	SYNERGY21
									2021-12-03



- with 2\* 12 core splicing Holder ,black
  - Material:Plastic (Non fire retardant)
  - Color: beige
  - RoHS 2.0 and Reach Compliant
- Packing:1pcs/PE bag+label 1, 100pcs/innet carton+outer carton+label 3

MATERIAL LIST:

②	Splic Holder	ABS/Black	2		<b>SYNERGY 21</b>					
①	Splicing tray	24 cores splicing tray, ABS/Beige	1							
NO.	PARTS NAME	SPECIFICATION DESCRIPTION	QT' Y	REMARK	CUSTOMER	ITEM NO.	S215474			
					PRODUCT NAME	Splicing tray with 2pcs of 12core holders	manufacture country	CHINA	UNIT	MM
		NEW	2017. 04. 27	A	DRAWNBY	CHECKBY	APPOBY	DATE		
BY	CHK	REVISION RECORD MODIFICATIONS	DATE	REV.	SYNERGY 21	SYNERGY 21	SYNERGY 21	2017. 04. 27		