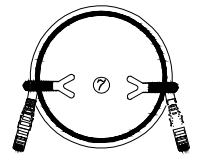
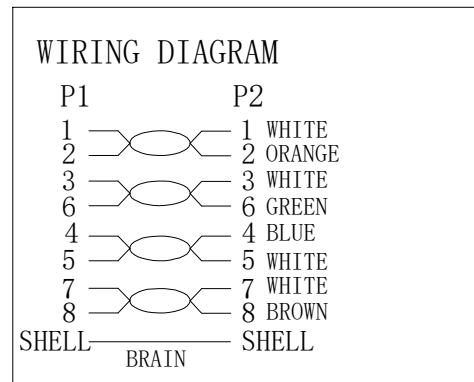


ARRANGE METHOD:



Item	Description	Material	Color	Q'TY
①	Plug	C6R5Z03MV2SIL	transparent	2
②	Insert	I1.1V2	transparent	2
③	Insert	C6 SSTP insert	Blue	2
④	Lock Part 1	Move Part	Blue	2
⑤	Lock Part 2	Key	Blue	1
⑥	Over Mould	PVC	Same as cable color	
⑦	Cable Tie		WHITE	2
⑧	Key Chain	Key Chain	Ni	1

1. Electrical test:100% open short & miss wire test;
2. RoHS2.0 AND REACH compliant
3. PRINT WORD:  
CAT. 6A S/FTP LSZH 500MHz ISO/IEC 11801 & EN50173-1 & ANSI/TIA-568-C.2 www.Synergy21.de **CE**
4. Test:ISO 11801 CLASS EA CHANEL LINK TEST PASS
5. OPERATING TEMPERATURE:-10°C~60°C
6. Support PoE+ per IEEE 802.3at, Max to 30 Watt



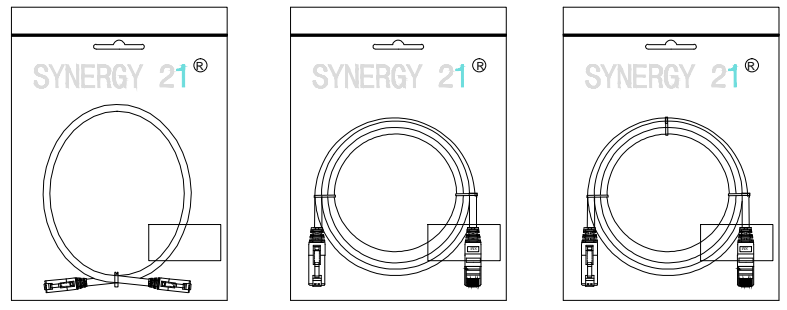
MATERIAL LIST

③	OVER MOLD	PVC, Same as cable color	2	
②	CONNECTOR	RJ45 8P8C'S SHIELDED, THE SHELL PLATED NICKEL, PIN GOLD PLATED	2	
①	CABLE	CAT. 6A S/FTP (26AWG BC*1P+AL-FOIL)*4+BRAID+JACKET: LSZH OD:6.2±0.2mm Transparent plug	1	
NO.	PARTS NAME	SPECIFICATION STANDARD	QT' Y	REMARK
		ADD POE Information		2017-02-06 A1
		NEW		2016-05-24 A
BY	CHK	REVISION RECORD MODIFICATIONS		

SYNERGY 21				
CUSTOMER	ITEM NO.	See The Chart		
PRODUCT NAME	Patch cable CAT6A 500MHz, S-STP(S/FTP), with lock	manufacture country:	CHINA	UNIT MM
DRAWN BY	CHECK BY	APPO BY	DATE	
SYNERGY 21	SYNERGY 21	SYNERGY 21	2016-05-24	

COLOR: GREY PANTONE 421C		
ITEM	LENGTH	PACKING
S217000	250 ± 10mm	SYNERGY 21 A Bag
S217001	500 ± 15mm	SYNERGY 21 A Bag
S217002	1000 ± 30mm	SYNERGY 21 B Bag
S217003	1500 ± 30mm	SYNERGY 21 B Bag
S217004	2000 ± 30mm	SYNERGY 21 B Bag
S217005	3000 ± 50mm	SYNERGY 21 B Bag
S217006	5000 ± 200mm	SYNERGY 21 B Bag
S217007	7500 ± 200mm	SYNERGY 21 B Bag
S217008	15000 ± 200mm	SYNERGY 21 C Bag

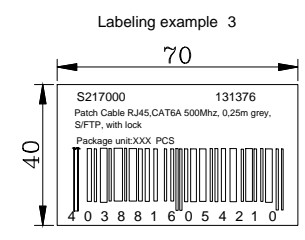
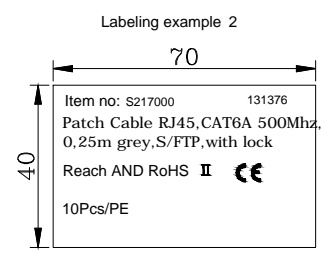
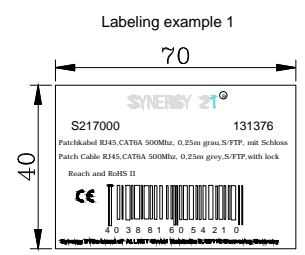
								SYNERGY 21				
							CUSTOMER NO.		ITEM NO.	SEE THE CHART		
							PRODUCT NAME	Patch cable CAT6A 500Mhz, S-STP(S/FTP), with lock	manufacture country:	CHINA	UNIT	MM
			NEW	2016-05-24	A		DRAWNBY	CHECKBY	APPOBY	DATE		
BY	CHK		REVISION RECORD MODIFICATIONS	DATE	REV.		SYNERGY 21	SYNERGY 21	SYNERGY 21	2016-05-24		



**L <= 0.5M**                      **0.5M <= L <= 7.5**                      **7.5 < L**

**SYNERGY 2:** Colour pantone 877C  
**1:** Colour pantone 298C  
 ®: Colour pantone Black  
 bag thickness single side:0.05mm

**CE** length and height Must > 5mm

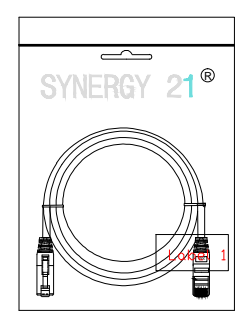


master mark

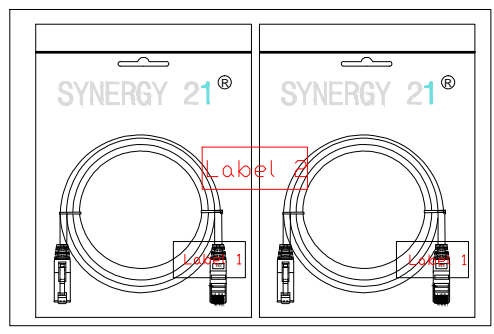
side mark

PO NO. :  
**CAT 6A S/FTP**  
 Length:  
 Colour:  
 C/NO. :  
 REACH+RoHS 2.0 Compliant  
 MADE IN CHINA

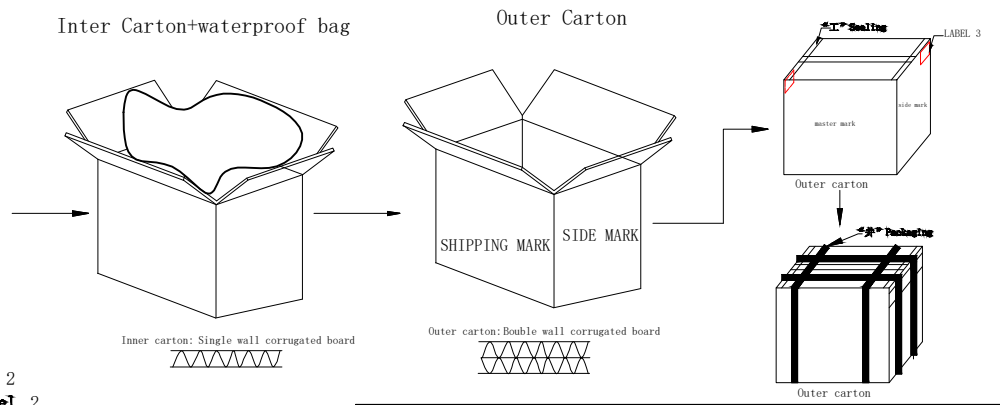
Item no:  
**CAT 6A S/FTP**  
 Length:  
 Colour:  
 Q' TY:  
 N. W.:  
 G. W.:  
 MEAS:



1pcs/SYNERGY 21 Bag+label 1



**L <= 5M: 1pcs/SYNERGY 21 Bag+label 1, 10pcs/pe bag+label 2**  
**5m <= L <= 10M: 1pcs/SYNERGY 21 Bag+label 1, 5pcs/pe bag+label 2**  
 10m < L: 1pcs/SYNERGY 21 Bag+label 1, without pe bag



						<b>SYNERGY 21</b>						
						CUSTOMER		ITEM NO.		See The Chart		
						PRODUCT NAME		PACKING		manufacture country:		
						CHINA		UNIT		MM		
						DRAWNBY		CHECKBY		APPROVE		
						DATE		REV.		DATE		
BY	CHK	REVISION RECORD MODIFICATIONS				DATE	REV.	SYNERGY 21	SYNERGY 21	SYNERGY 21	2016-05-24	