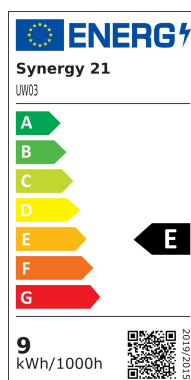


Synergy 21 LED LoRa (433MHz) Poolleuchte 9W RGB-WW (RGB-CCT) *Milight/Miboxer*



kwh/1000h:	9,90
Lumen:	600
Watt:	9,0
Nennlebensdauer:	35000 Std.
Schaltzyklen:	50000
Opt. Umgebungstemp.:	25 °C



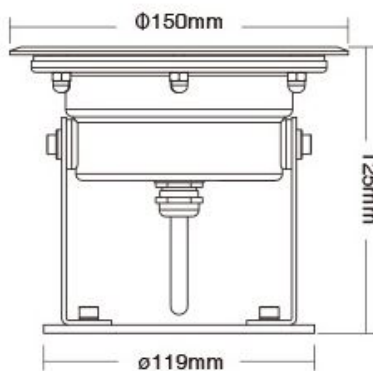
Product Name: 9W RGB+CCT LED Underwater Light
(LoRa 433MHz)
Model No.: UW03
Power: 9W
Input Voltage: AC12V / DC12~24V
Working Temperature: -20~45?
RF: 433MHz
Modulation Method: LoRa spread spectrum
Control distance: 50m (Lamps into 0.5m underwater)
Color temperature: 2700K~6500K
Luminous Flux: 600LM
Light Efficiency: 70LM/W
CRI: >80
Lifespan: 50000h
Beam Angle: 15°
IP Rate: IP68
Housing Material: 304 Stainless Steel+stalinite

Energieeffizienzklasse: E
kWh/1000h: 9,9

Merkmale

Merkmal	Wert
Abstrahlwinkel:	15
Dimmbar:	Ja
Grösse:	150*119*125
LED - Gehäusematerial:	Stahl
Lichtfarbe:	RGB-WW
Lichtfarbe in Kelvin:	2700~6500
Lumen:	600
Schutzklasse:	IP68
Volt:	230
Gewicht:	1 Kg
Garantie:	24.00 Monate

Weitere Bilder



433MHz Remote control Smart phone APP control

433MHz remote or smart phone APP control to fulfill more function settings.
*Smart phone APP controlling need 433MHz gateway



Support third party voice control

It need 433MHz Gateway for third party voice control



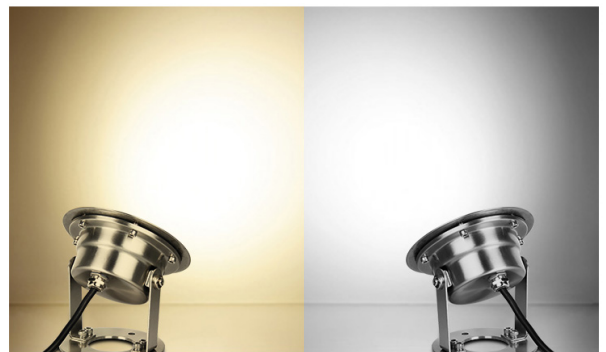
16 million colors and saturation control

16 million colors change, saturation adjustable,
Make smart lighting atmosphere meet all your requirement



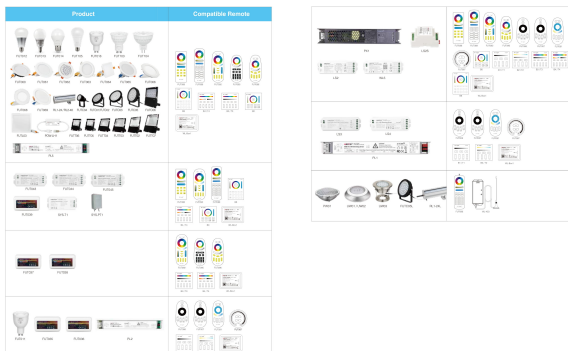
Color temperature and brightness adjustable randomly

Color temperature and brightness adjustable making many kinds of lighting atmosphere





COMPATIBLE REMOTE SHEET



Zubehör

Art.-Nr.	Name
178057	Synergy 21 LED LoRa (433MHZ) Poolleuchte 15W RGB+CCT *Milight/Miboxer*
178058	Synergy 21 LED LoRa (433MHZ) Controller DMX über LoRa *Milight/Miboxer*
178059	Synergy 21 LED LoRa (433MHZ) Poolleuchte 27W RGB+CCT *Milight/Miboxer*
178060	Synergy 21 LED LoRa (433MHZ) Poolleuchte 9W RGB+CCT *Milight/Miboxer*
178061	Synergy 21 LED LoRa (433MHZ) PAR56 Pool Light 27W RGB+CCT *Milight/Miboxer*
178062	Synergy 21 LED LoRa (433MHZ) Fernbedienung* Milight/Miboxer*