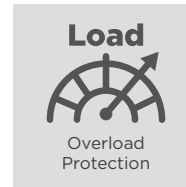
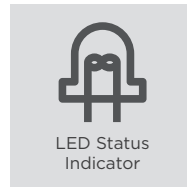
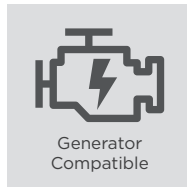
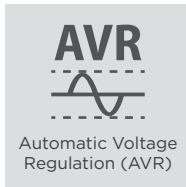




ENERGY-SAVING TOWER UPS



The energy-saving UPS to save up to 93% of power consumption

Designed for home, SOHO office and office applications, the UT Series adopts line-interactive topology with Automatic Voltage Regulation (AVR) function to offer stabilized AC power output. The patented GreenPower UPS™ Bypass design achieves ultra-low power consumption to reduce energy costs. The LED indicator shows the utility, battery and operating status of the UPS. Other features include overload protection, EMI filter and configurable alarm to safeguard your devices.

APPLICATION

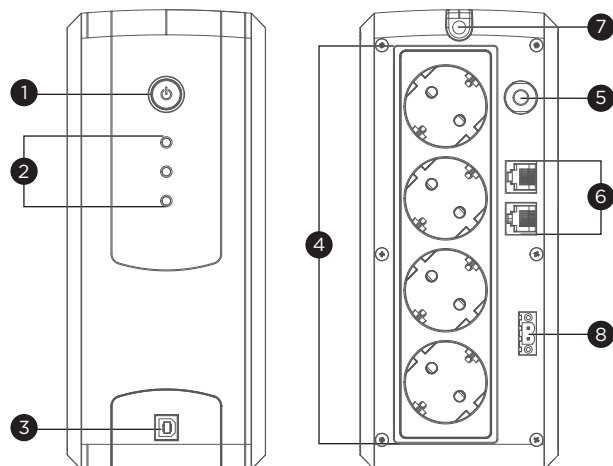
- Home
- SOHO Office
- Office
- NAS/Storage Devices
- Computers

SERIES FEATURES

- Energy Saving Technology
- Automatic Voltage Regulation (AVR)
- Generator Compatible
- LED Status Indicator
- Overload Protection
- Surge and Spike Protection
- Phone/Fax/Modem/DSL/Network Protection
- High-Speed Ethernet Data Transmission
- USB Connectivity Port
- EMI and RFI Filtration
- Configurable Alarm

PRODUCT CALLOUTS

1. Power On/Off Switch
2. LED Status Indicators
3. USB Port
4. Battery Backup & Surge Protected Outlets
5. Input Circuit Breaker
6. Communication Protection Ports RJ11/RJ45
7. AC Input Power Cord
8. Dry Contact



UT1200EG



TECHNICAL SPECIFICATIONS

Model Name	UT1200EG
General	
UPS Topology	Line-interactive
Energy Saving Technology	GreenPower UPS™ Bypass Technology
Input	
Generator Compatibility	Yes
Nominal Input Voltage (Vac)	230 ± 10%
Input Voltage Range (Vac)	165 - 290
Input Frequency (Hz)	50 ± 5, 60 ± 5
Input Frequency Detection	Auto-sensing
Rated Input Current (A)	5.21
Input Connector Type	Schuko
Output	
Capacity (VA)	1200
Capacity (Watts)	700
On Battery Waveform	Simulated Sine Wave
On Battery Voltage(s) (Vac)	230 ± 10%
On Battery Frequency (Hz)	50 ± 1%, 60 ± 1%
Automatic Voltage Regulation (AVR)	Single Boost, Single Buck
Overload Protection	Circuit Breaker
Outlet(s) - Total	4
Outlet Type	Schuko x 4
Outlet(s) - Battery & Surge Protected	4
Typical Transfer Time (ms)	4
Battery	
Runtime at 60W (min)	87
Runtime at 90W (min)	48
Runtime at 200W (min)	17
Typical Recharge Time (Hours)	6
User-replaceable	No
Battery Type	Sealed Lead-acid
Replacement Battery Pack	RBP0063
RBP Quantity (pcs)	2
Surge Protection & Filtering	
Surge Suppression (Joules)	150
EMI/RFI Filtration	Yes
Phone/Network Protection RJ11/RJ45 (Combo)	1-in, 1-out
Management & Communications	
LED Indicators	Power On, Line Mode, Battery Mode, Bypass Mode, Low Battery, Overload, UPS Fault
HID Compliant USB Port(s)	1
Audible Alarms	Battery Mode, Low Battery, Overload, UPS Fault
Ethernet Data Transmission Speed	Up to 1Gb
Power Management Software	Yes
Physical	
Form Factor	Tower
Physical Size - UPS Module	
Dimensions (WxHxD) (mm.)	95 x 220 x 307
Weight (kg.)	7.6
Environmental	
Operating Temperature (°C)	0 - 40
Operating Relative Humidity (Non-condensing) (%)	0 - 90
Online Thermal Dissipation (BTU/hr)	8
Certifications	
Certifications*	CE, EAC
RoHS	Yes

*Certifications may vary according to different regions. Visit www.cyberpower.com for more information.

#All specifications are subject to change without notice.