

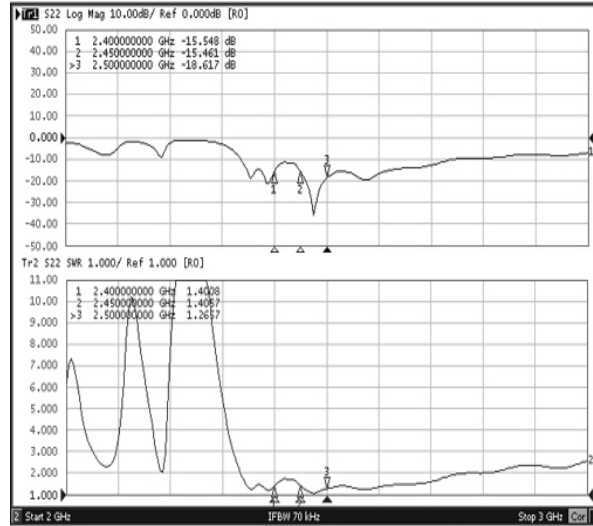
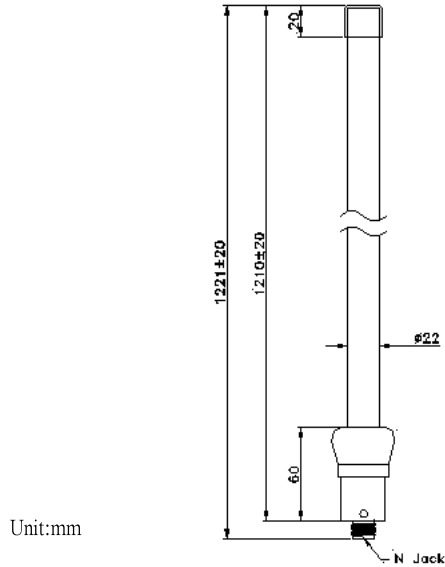


High Gain Outdoor Base Station Antenna

Omni-directional, for WLAN IEEE 802.11b/g 2.4GHz

Model. ALLNET Antenne 2,4 GHz 12dBi Omni outdoor

Return loss / V.S.W.R



APPLICATIONS

- For Wireless LAN 2.4GHz
- Outdoor CPE, Base Station, Public Wireless Hotspot

FEATURES

- Fiber Glass, High Gain Design
- Durable UV Resistance
- Available for Pole & Wall Mounting
- Optional Tilt Adjustable Mounting Bracket
- RoHS Compliant
- Meet Water-proof&Dust-proof IP65

ELECTRICAL SPECIFICATIONS

Frequency	2.4~2.5GHz
Gain	12 dBi
Impedance	50 Ω
S.W.R.	≤2
Radiation	Omni
Polarization	Vertical

MECHANICAL SPECIFICATIONS

Height	1221 mm
Weight	654 g
R adome Material	Fiberglass
R adome Color	White
Connector	N Female

PATTERN

