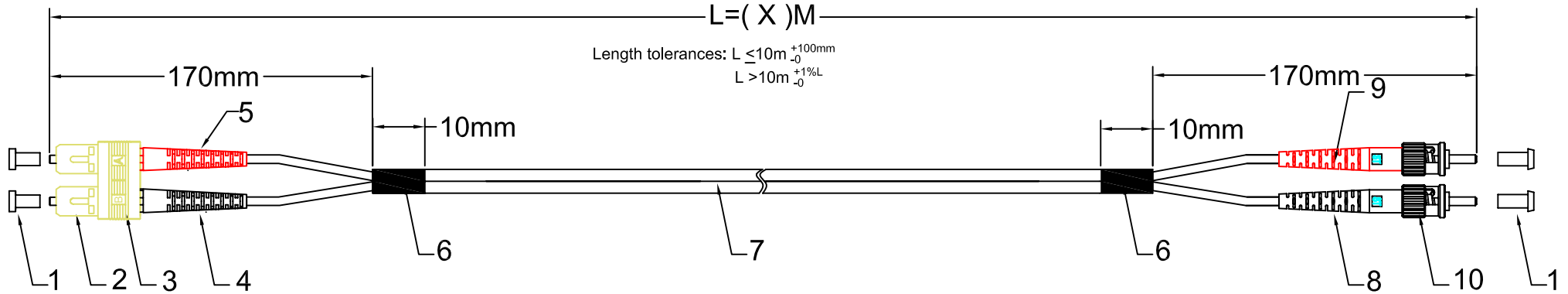


## SC - ST Duplex Jumper, I-V(ZN)H 02G 50/125 $\mu$ OM4, LSZH Violet Jacket, x meter



### Specifications:

1. Insertion Loss: < 0.3dB @850nm
2. End surface test is according to OP-03-05001
3. Test standard: GR-326-CORE
4. Test report has to match the serial No.
5. RoHS compliant
6. Fiber cable according to IEC 60793-2
7. SC connector according to IEC 61754-4  
ST connector according to IEC 60874-10

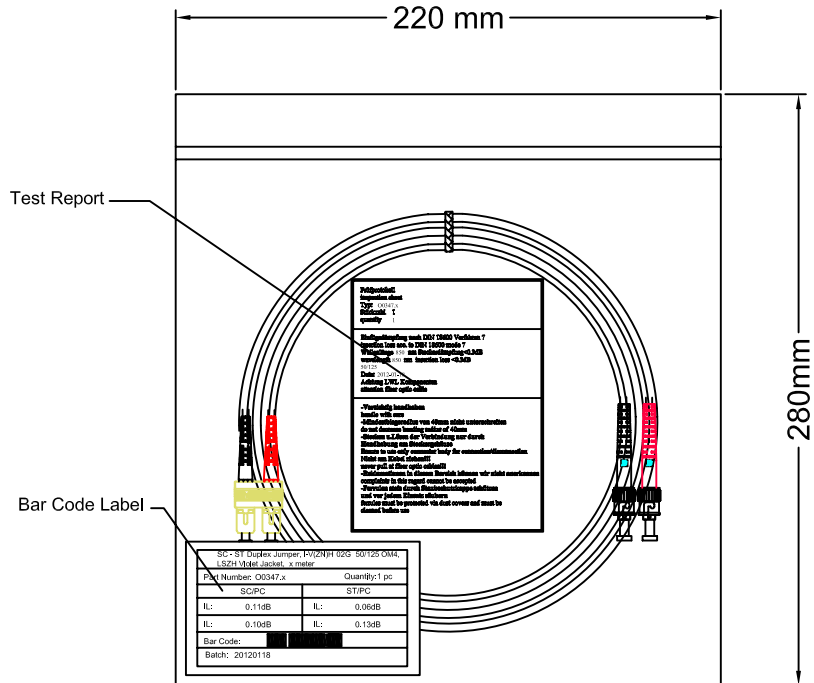
**RoHS  
compliant**

10	ST MM 3.0 connector	2
9	ST 3.0 boot, red	1
8	ST 3.0 boot, black	1
7	Ø3.0mm MM duplex OM4 50/125 $\mu$ LSZH Violet cable	
6	Heat shrink tube, black	2
5	SC 3.0 boot, red	1
4	SC 3.0 boot, black	1
3	SC clip, beige	1
2	SC MM 3.0 connector, Beige	2
1	Dust cover	4
<b>Item</b>	<b>Description</b>	<b>Qty</b>

SC - ST Duplex Jumper, I-V(ZN)H 02G 50/125 OM4, LSZH Violet Jacket, x meter	
Part No: O0347.X	
Drawing No:	Page :1 of 3

# Packing:


The corresponding label data for each cable assembly shall be affixed to the package



9# PE Bag(220mm x 280mm)

<b>Prüfprotokoll</b> <b>inspection sheet</b> <b>Typ:</b> O0347.x <b>Stückzahl</b> 1 <b>quantity</b> 1
<b>Einfügedämpfung nach DIN 18600 Verfahren 7</b> <b>insertion loss acc. to DIN 18600 mode 7</b> <b>Wellenlänge 850 nm Steckerdämpfung&lt;0.3dB</b> <b>wavelength 850 nm insertion loss &lt;0.3dB</b> 50/125 <b>Date:</b> 2012-01-18 <b>Achtung LWL Komponenten</b> <b>attention fiber optic cable</b>
<b>-Vorsichtig handhaben</b> <b>handle with care</b> <b>-Mindestbiegeradius von 40mm nicht unterschreiten</b> <b>do not decrease bending radius of 40mm</b> <b>-Stecken u. Lösen der Verbindung nur durch</b> <b>Handhabung am Steckergehäuse</b> <b>Ensure to use only connector body for connection/disconnection</b> <b>Nicht am Kabel ziehen!!!</b> <b>never pull at fiber optic cables!!!</b> <b>-Reklamationen in diesem Bereich können wir nicht anerkennen</b> <b>complaints in this regard cannot be accepted</b> <b>-Ferrulen stets durch Staubschutzkappe schützen</b> <b>and vor jedem Einsatz säubern</b> <b>and vor jedem Einsatz säubern</b> <b>ferrules must be protected via dust covers and must be</b> <b>cleaned before use</b>

Test Report

SC - ST Duplex Jumper, I-V(ZN)H 02G 50/125 OM4, LSZH Violet Jacket, x meter	
Part Number: O0347.x	Quantity: 1 pc
SC/PC	ST/PC
IL: 0.11dB	IL: 0.06dB
IL: 0.10dB	IL: 0.13dB
Bar Code:	
Batch: 20120118	

Bar Code Label(100mmx60mm)

**RoHS compliant**

SC - ST Duplex Jumper, I-V(ZN)H 02G 50/125 OM4, LSZH Violet Jacket, x meter	
Part No: O0347.X	
Drawing No:	Page :2 of 3

# Indoor Cable Series ( Duplex)

## 1. Characteristics

- . Aramid yarn strength member ensures tension resistance and long term stability in transmission
- . Figure 8 structure jacket facilitate embranchment
- . Small outer diameter, lightweight
- . Flame-retardant jacket, halogenfree
- . Low attenuation

## 2. Applications

- . Installation in conduits and shafts
- . Indoor distribution
- . Jumper and adapter cable
- . Connecting workstations inside buildings(FTTD)

## 3. Temperature Range

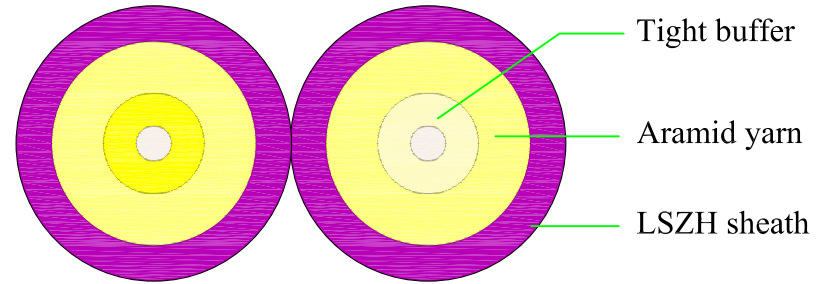
-20°C up to +70°C

## 4. Fiber Optic Cable Performance

- . Number of fibers: 2
- . Outer diameter: 2.8x5.7 mm
- . Nominal weight: 13.2 kg / km
- . Max. tension: 300 N (short - term)  
160 N (long - term)
- . Min. Bending Radius: 20 H (Dynamic)  
10 H (Static)
- . Max . Crush Resistance (N/100 mm<sup>2</sup>):1000
- . Complies with TIA/EIA-568 B.3 & Bellcore GR-409-CORE & OFNR-UL/CSA FT-4
- . Maximum Attenuation: ≤ 2.3dB @850nm  
≤ 0.6dB @1300nm
- . OFL Bandwidth: ≥3500MHz-km@850nm  
≥500MHz-km@1300nm
- . 10 Gigabit Ethernet SX: 550m@850nm

## 5. Cable Specification

- . Fiber type: Multimode 50/125µ m OM4
- . Violet jacket , LSZH



**RoHS  
compliant**

SC - ST Duplex Jumper, I-V(ZN)H 02G 50/125 OM4, LSZH Violet Jacket, x meter	
Part No: O0347.X	
Drawing No:	Page :3 of 3