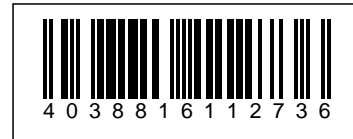


# ALLNET Antenne 868MHz 5dbi Antenne (N-Female) Omnidirectional/Rundstrahl ANT-868-5dbi-OMNI LORA HELIUM IoT



### EAN CODE



## Highlights:

- 860~880MHz Rundstrahlantenne, 2 Array
- Gewinn: 5dbi (Mehr Details siehe Datenblatt)
- Abstrahlwinkel: H360 V32
- Impedance: 50 Ohm
- VSWR:  $\leq 1.3$  @868MHz, Max 1.5
- Anschluss: N-Type Female (passende Anschlußkabel finden Sie im Zubehör)
- Abmessung: Länge = 600mm x Durchmesser 20mm
- Max. Windload: 180km/h
- Temperatur: -40°C ~ +60°C
- Montage: Wandmontage & Mastmontage
- Verpackungsinhalt: Antenne und Montagezubehör
- **Ideal für LoRA / Helium Network / Helium Miner/ IoT Endgeräte / 868MHz Systeme etc.**

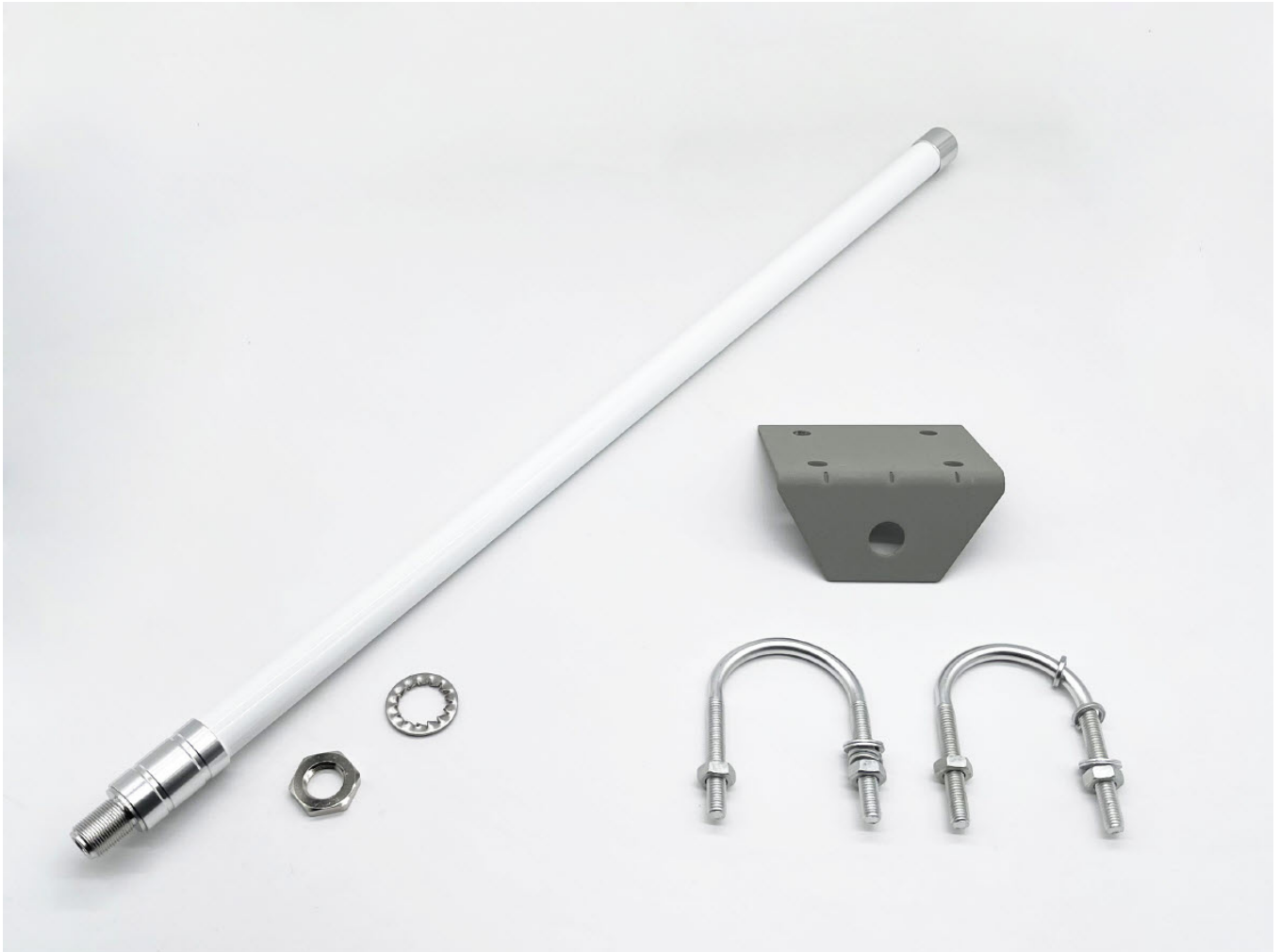
## Technical Details:

Model	ANT-868-3dbi-OMNI	ANT-868-5dbi-OMNI, 2 Array	ANT-868-6dbi-OMNI, 3 Array	ANT-868-7.3dbi-OMNI, 7 Array
Electrical Specification	Frequency : 868MHz, 860-880MHz			
Polarization	Vertical Polarized			
Max Gain	3.5dbi	5dbi	6dbi	7.3dbi
H Beamwidth	360deg / omni coverage			

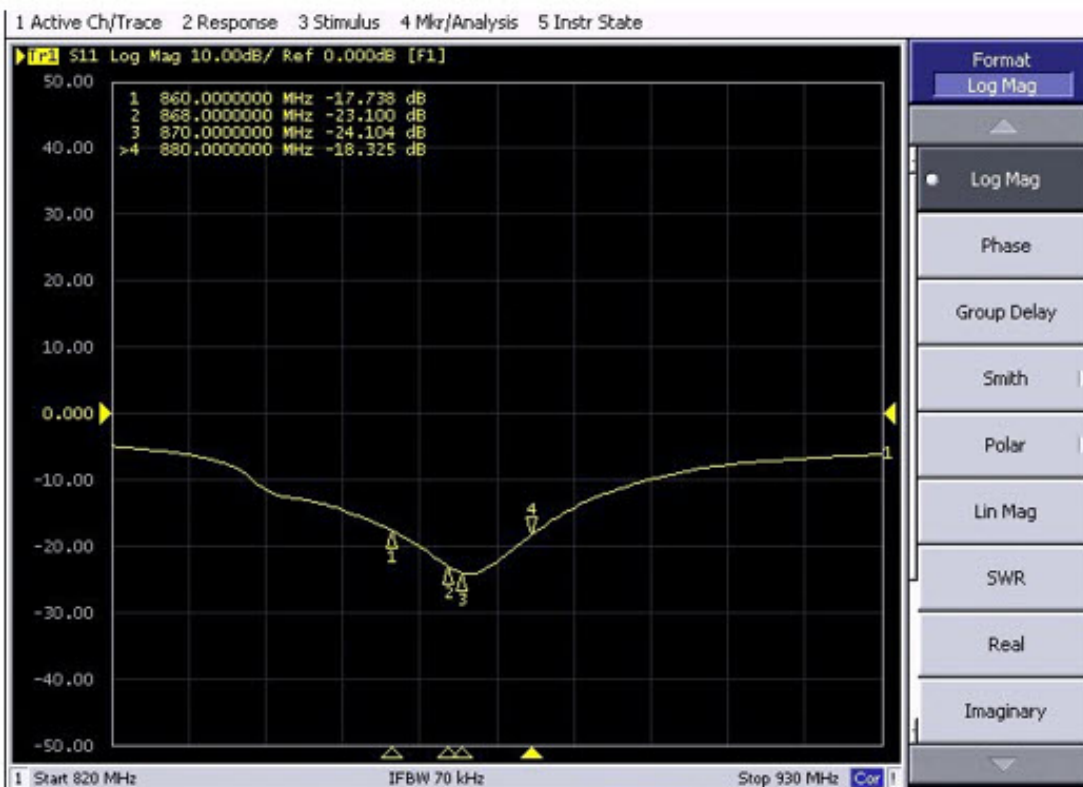
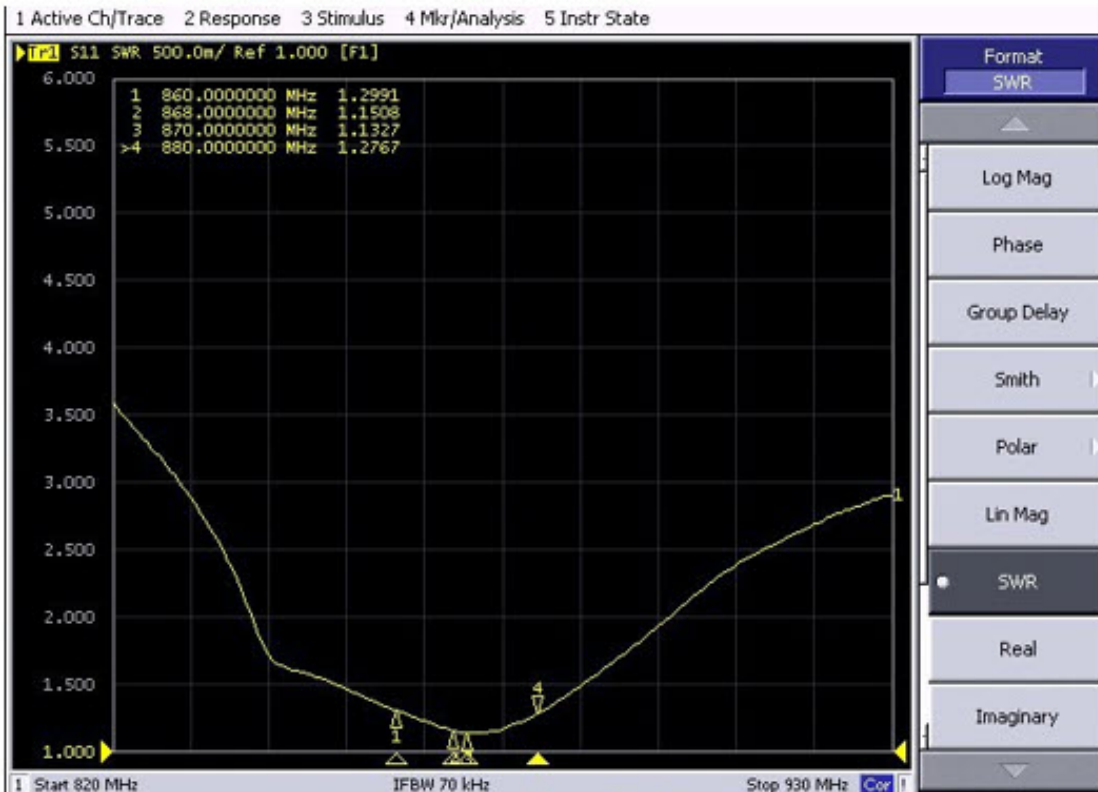


Art.-Nr.: 206772  
 Herst.-Nr.: ANT-868-5dbi-OMNI

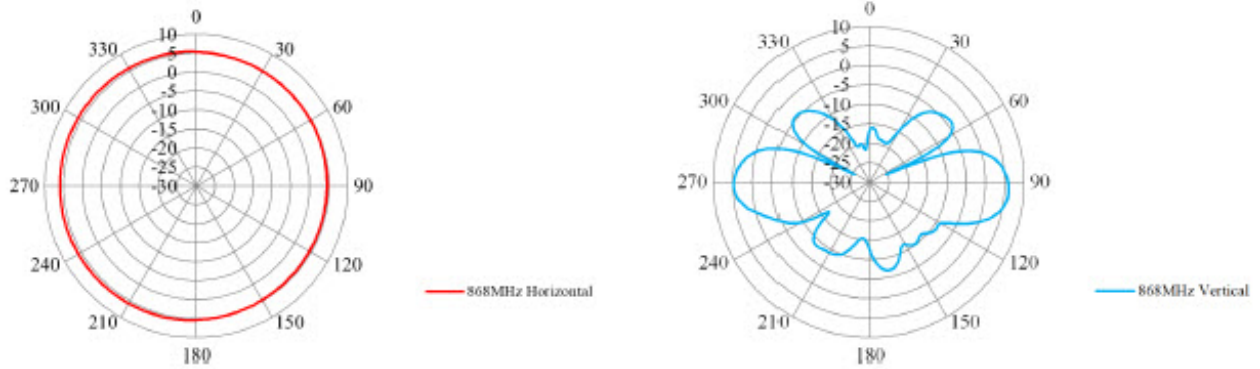
E Beamwidth	65deg	32deg	26deg	20deg
VSWR	typical: <1.3 @868MHz, Max 1.5			
Nominal Impedance	50 ohm			
Max Power	50watts			
<b>Mechanical Specification</b>				
Connector	N-Female, Long Neck			
Radome	Fiberglass, Dia 20mm			
Color	White/Grey			
Total Length with Connector	314mm	600mm	800mm	1000mm
Weight incl Mount Kit	0.55kg	0.65kg	0.7kg	0.8kg
Working Temperature Range	-45°C to +75°C			
Max winload	180km/h			
Storage Temperature	-50°C to +75°C			



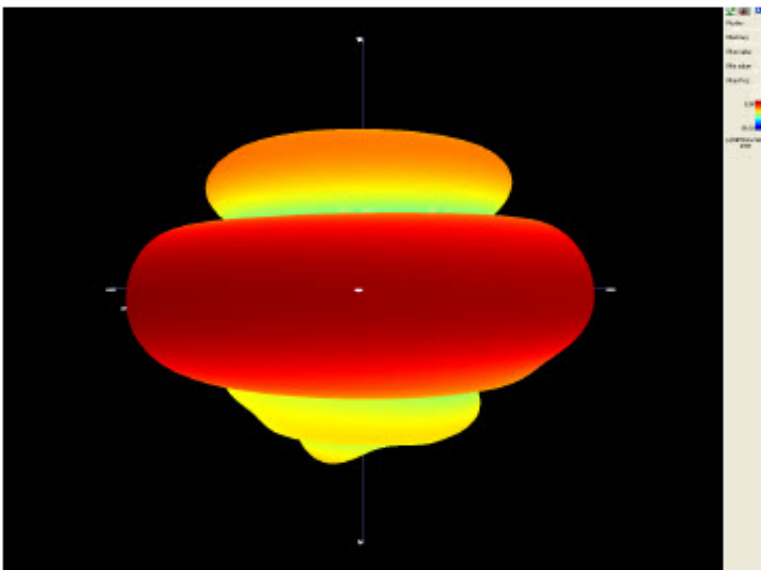
**Antenna Test Data:**



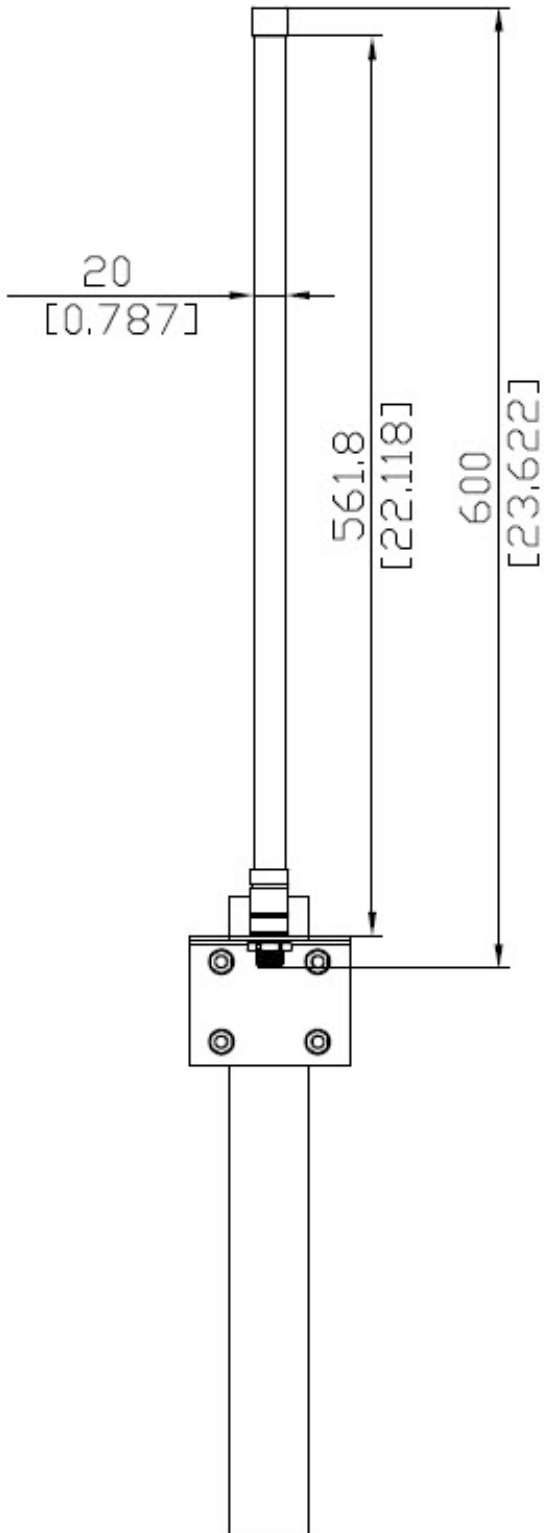
### 3D Radio Pattern:

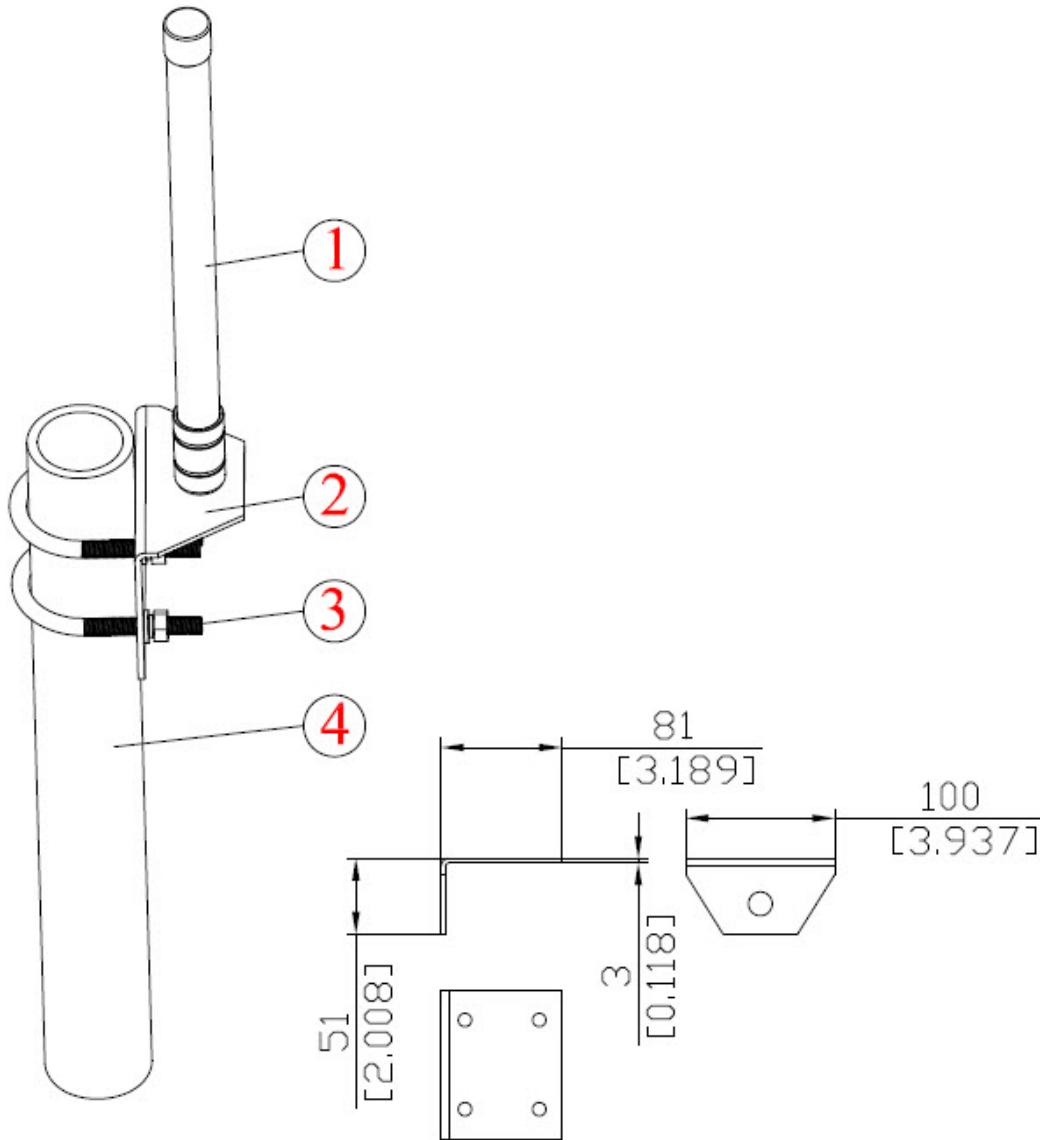


### 3D Radio Pattern:



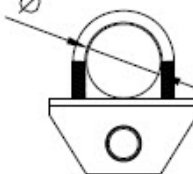
### Installation:





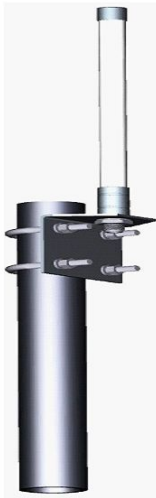
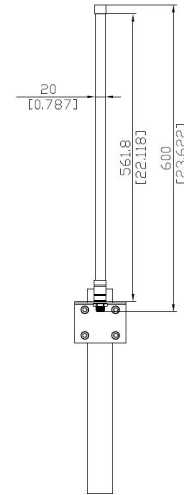
### Pole Installation

- 1.. ANTENNA
2. L-shape Mount Kit
3. U Bolts
5. POLE



1. Mount kits for Pole  
 Dia:  $\varnothing 30$ – $\varnothing 50$

## Weitere Bilder



## Zubehör

Art.-Nr.	Name
177056	ALLNET Antennen-Kabel LMR-195 R-SMA(m) <> N-Type(m) 1000 cm
88874	ALLNET Antennen-Kabel LMR-195 R-SMA(m) <> N-Type(m) 150 cm
88875	ALLNET Antennen-Kabel LMR-195 R-SMA(m) <> N-Type(m) 300 cm
88876	ALLNET Antennen-Kabel LMR-195 R-SMA(m) <> N-Type(m) 500 cm
88877	ALLNET Antennen-Kabel LMR-195 R-SMA(m) <> N-Type(m) 700 cm