

ALLNET ALL4404 / Multiplexing Modul-Hub 8 Ports

>>> [Go to the shop article](#)



EAN CODE

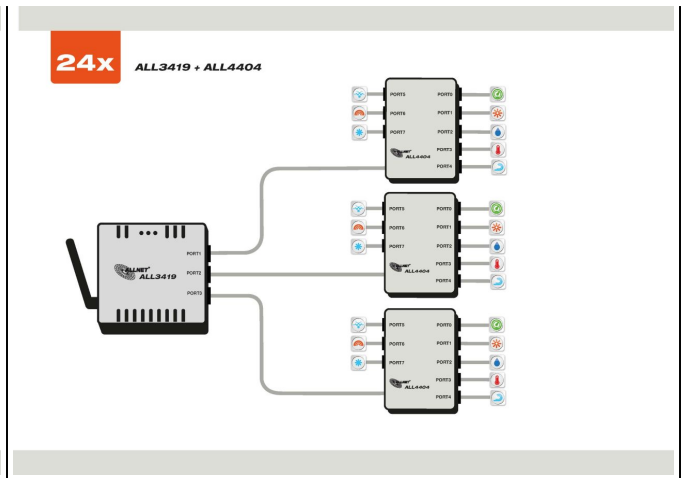
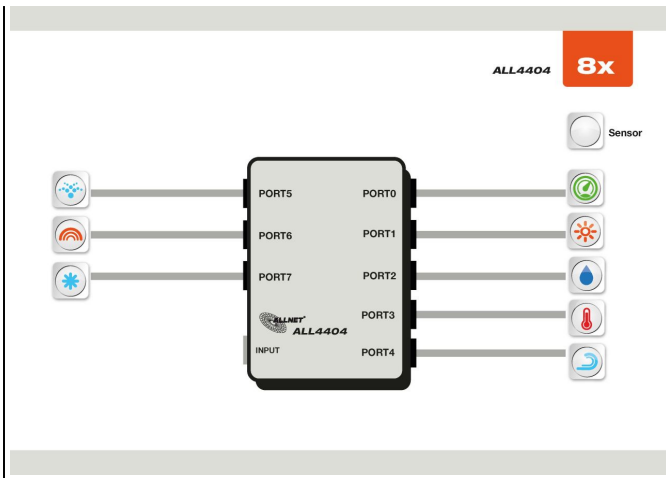


Multiplexing module hub for star-shaped distribution of up to 8 sensor modules for ALL4500/ALL5000.

For the operation of the ALL4404 a base station/central unit is required. With the ALL4404 you expand the possible sensors by a factor of 8. A maximum of 1x ALL4404 can be connected per master port on the central station. The maximum cable length from the I2C sensor port is max. 100m and is NOT extended by the ALL4404 i.e. the maximum cable length through the hub is still 100m.

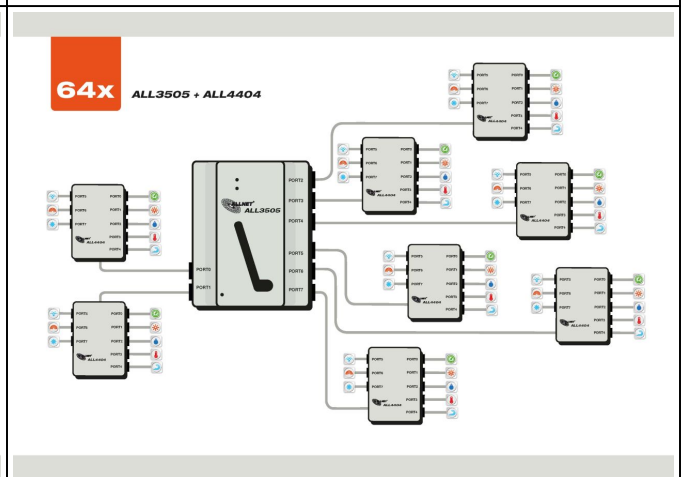
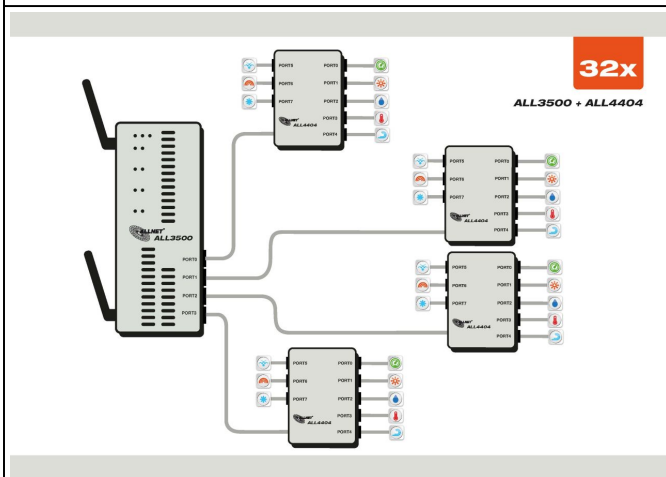
Application example:

ALL4404 (Single)	ALL3419

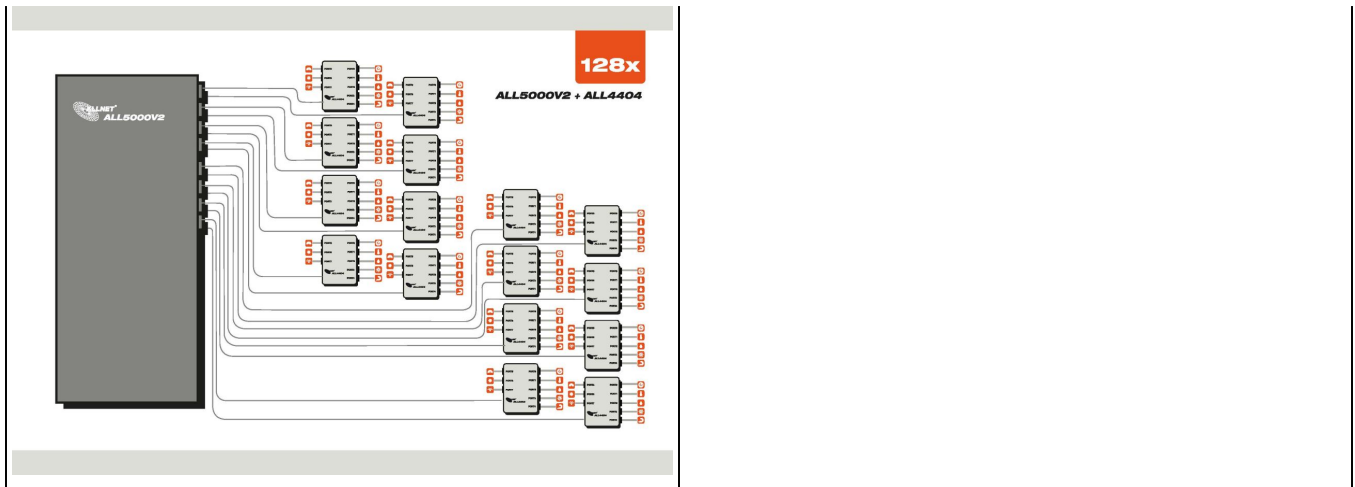


ALL3500

ALL3505



ALL5000v2



Attributes

Attribute	Value
Bauform:	Metallgehäuse
Einsatzorte MSR:	indoor
Kompatibilität Zentrale:	ALL3419;ALL3500;ALL3500PoE;PoE Signallampe;ALL3696;ALL3420;ALL5000;ALL4500;ALL5000v2;ALL3418;ALL5100;ALL4176;ALL3692;
Weight:	0.31 Kg
Warranty:	24.00 Months

Accessories

Part No.	Name
104126	ALLNET ALL3505 / IP Homeautomation Appliance DIN-Rail 8x I2C
206211	ALLNET MSR Central "ALL5000v2" incl. 16 Sensor Ports & 19" for IP Building Automation