

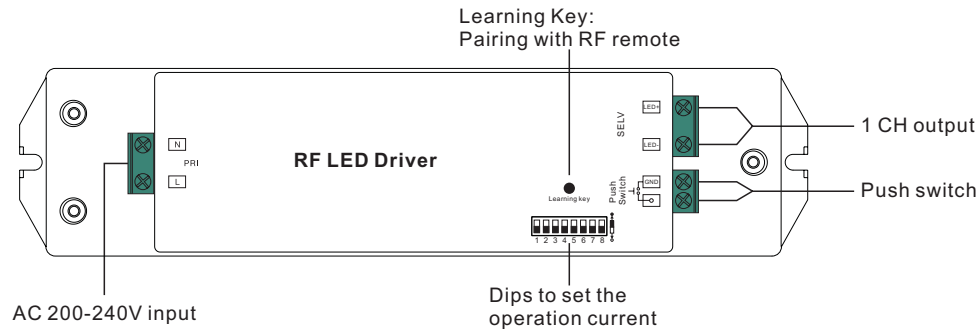
50W RF LED Driver(Constant current)

09.009CC.04006



Important: Read All Instructions Prior to Installation

Function introduction



Safety & EMC	Safety Standards	In compliance with EN 55015, EN 61000-3-2, EN 61000-3-3, EN 61347-1, EN 61347-2-13, EN 62384, EN 61547
Others	MTBF	193.6K hrs min. @ 230VAC at full load and 25°C ambient temperature
	Dimension	210*50*32mm (L*W*H)

Dips to set the operation current



Current	1	2	3	4	5	6	7	8
250mA	○	○	○	○	○	○	○	○
300mA	○	○	○	○	○	○	○	○
350mA	○	○	○	○	○	○	○	○
400mA	○	○	○	○	○	○	○	○
450mA	○	○	○	○	○	○	○	○
500mA	○	○	○	○	○	○	○	○
600mA	○	○	○	○	○	○	○	○
700mA	○	○	○	○	○	○	○	○

Current	1	2	3	4	5	6	7	8
800mA	○	○	○	○	○	○	○	○
900mA	○	○	○	○	○	○	○	○
1000mA	○	○	○	○	○	○	○	○
1100mA	○	○	○	○	○	○	○	○
1200mA	○	○	○	○	○	○	○	○
1300mA	○	○	○	○	○	○	○	○
1400mA	○	○	○	○	○	○	○	○
1500mA	○	○	○	○	○	○	○	○

Product Data

Output	Selectable Current	250mA	300mA	350mA	400mA	450mA	500mA	600mA	700mA
	DC Voltage Range	15-48V	15-48V	15-48V	15-48V	15-48V	15-48V	15-48V	15-48V
	Selectable Current	800mA	900mA	1000mA	1100mA	1200mA	1300mA	1400mA	1500mA
	DC Voltage Range	15-48V	15-48V	15-48V	15-46V	15-41V	15-38V	15-35V	15-33V
Rated Power		50W							
Input	Voltage Range	200-240V AC							
	Frequency	50/60Hz							
	Power Factor (Typ.)	> 0.9							
	Efficiency (Typ.)	87% @ 230VAC							
	Input Current	0.27A @ 230VAC							
Protection	Short Circuit	Yes							
	Over Voltage	Yes							
	Over Load	Yes							
Environment	Working Temp.	-20°C ~ +45°C							
	Max. Case Temp.	85°C							
	Working Humidity	10% ~ 95% RH non-condensing							
	Storage Temp. & Humidity	-40°C ~ +80°C, 10% ~ 95% RH							

- Dimmable LED driver with RF control
- Max. output power 50W
- 1 channel 250-1500mA constant current output
- Dips to set the operation current
- Class II power supply, full isolated plastic case
- High power factor and efficiency
- To switch and dim single color LED lighting
- Compatible with a variety of single color RF remotes
- IP20 rating
- Suitable for indoor LED lighting applications
- Radio Frequency : 868/869.5/916.5/434mhz
- 3 years warranty

Safety & Warnings

- DO NOT install with power applied to device.
- DO NOT set the operation current with power applied
- DO NOT expose the device to moisture.

Wiring Diagram

