

ALLNET MSR control center “ALL3505v2” incl. 8 sensor ports & DIN rail mounting for IP building automation

>>> [Go to the shop article](#)



EAN CODE

The intelligent solution for your building automation – ALLNET ALL3505v2 DIN rail

Start your journey into the world of building automation with the ALLNET ALL3505v2 – the cost-effective platform for control solutions based on precise measurement data. Compact, powerful and versatile, this DIN rail offers a comprehensive basis for innovative automation projects.

Easy control – üanywhere and at any time

With a user-friendly web interface and robust GNU/Linux firmware, the ALL3505v2 can be controlled from anywhere. Whether via smartphone, tablet or PC – thanks to the integrated JSON interfaces, the system can be seamlessly integrated into complex installations or customised software solutions. Compatibility with SNMP and I²C bus also enables integration into existing networks.

Versatile application options for modern automation

The ALL3505v2 opens up a wide range of application scenarios:

- **Security management:** Crisis detection and alarm control in case of gas odour, smoke development or water ingress.
- **Climate control:** Temperature and humidity monitoring with needs-based switching of heaters and humidifiers.



- **Time-controlled garden irrigation:** Automation based on sensor values such as soil moisture or power consumption.
- **HACCP compliance:** Precise temperature detection for food safety.

Maximum connectivity and flexibility

The ALL3505v2 has Ethernet or integrated WLAN, so you can easily retrieve and process your data or send it automatically by email. Eight available sensor ports enable the connection of numerous external sensors and actuators to realise almost any automation scenario. Thanks to the use of standard network cables (RJ45), you can use existing cable infrastructures to connect measurement and control modules.

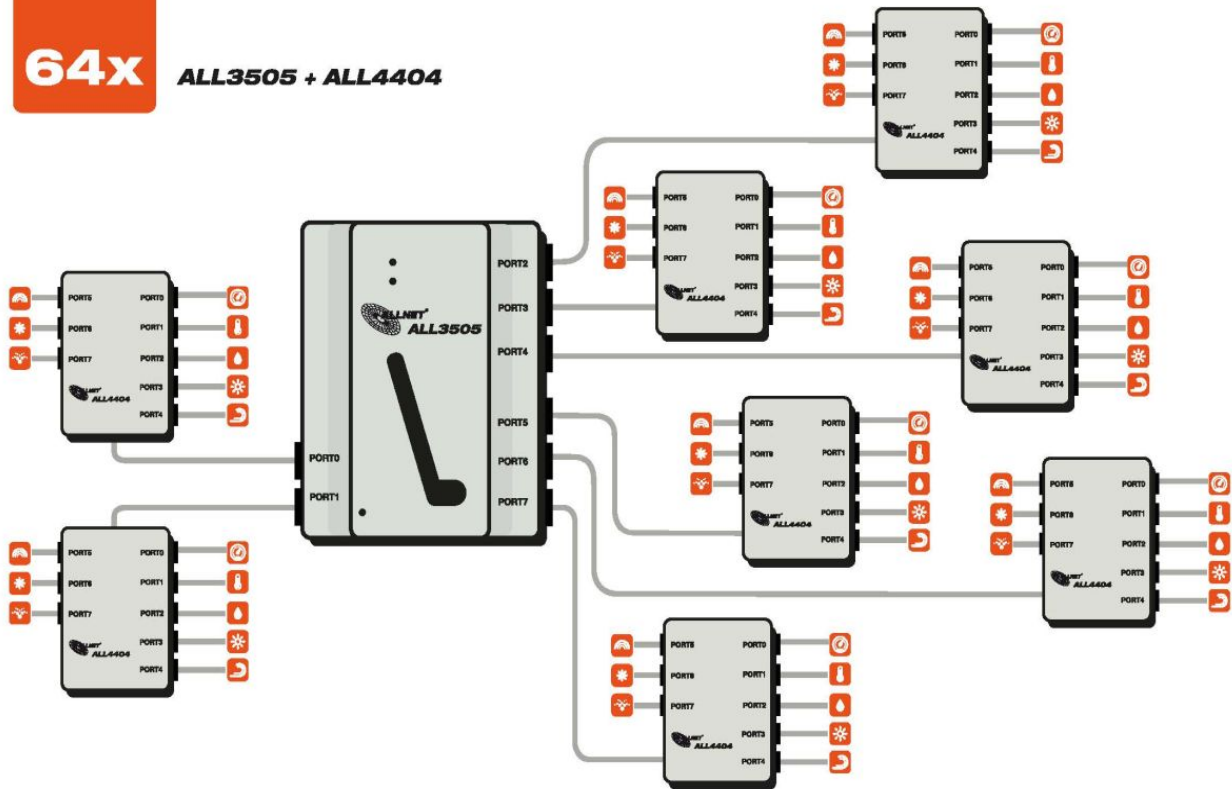
Your cost-effective entry into home automation

With its space-saving design, the ALL3505v2 combines impressive functionality and reliability in a compact unit. Whether for private or commercial use, this DIN rail is the ideal solution for controlling, monitoring and optimising your building automation efficiently and economically.

Enter the world of intelligent building automation now - with the **ALLNET ALL3505v2 top-hat rail!**

Maximum number of sensors per ALL3505v2:

64x ALL3505 + ALL4404



Technical data:

Element	Specification
Interfaces:	8x RJ45 sensor modules
Network connection:	1x RJ45 10/100Mbps
Wireless LAN:	Mediatek MTK7688 SOC chipset 2.4 GHz Wireless N Security: WEP 64/128bit, WPA, WPA2
Supported standards:	IEEE 802.3 IEEE 802.3u IEEE 802.11b/g/n
Other interfaces:	1x USB 2.0 1x console
Power supply:	12V / 1.25A (Phönixklemmen, power supply is still needed)



Part No.: 238124
Vendor Part No.: ALL3505v2

Power consumption:	<5 watts maximum
How to use:	PC/ABS top-hat rail housing
Environment:	Operating temperature: 0 ~ 40 °C Operating humidity: 10% ~ 85% (non-condensing) Storage temperature: -10 ~ 60 °C Storage humidity: 5% ~ 90% (non-condensing)
Labelling:	CE, RoHS
Dimensions:	6 TE, 106 x 90 x 60 mm (width x height x depth)
Weight:	300 grams (device incl. WLAN antenna and ALL3008 sensor)
Contents of the packaging:	- ALLNET ALL3505v2 - ALLNET ALL3008 temperature sensor - WLAN antenna - Operating instructions