
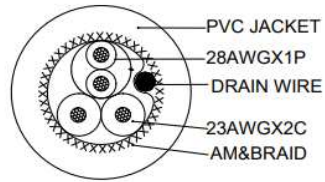


**PIN ASSIGNMENT:**

USB2.0B (P2)	USB C TYPE(P1)
1 V+ —————	A4,B4,A9,B9
2 D- —————	A7
3 D+ —————	A6
4 GND —————	A1,B1,A12,B12
	A5 —  Resistor 56K



NOTE:  
 1. Electronic test  
 1.1 Open/short 100% test  
 2. Max. Data rate: Up to 480Mbps

RoHS2.0 (2011/65/EU) Compliant

- Connections: USB-A plug to USB-C plug
- max. Bandwidth: 480 Mbps
- USB version: USB 2.0 (Hi-Speed USB)
- Compatible with all USB Type-A interfaces (i.a.): Hi-Speed USB, SuperSpeed USB 5Gbps, SuperSpeed USB 10Gbps
- Suitable for USB quick chargers (up to 18W)

- Wire material: copper
- Plug: moulded
- Plug material: CuZnNi
- Contact surface: gold-plated pins
- Plug cover: metal, ALU
- Cable type: round cable
- Material cable sheath: "Highflex" PVC
- Cable sheath diameter (ca.): 3.0mm

	REVISED	DR	APP

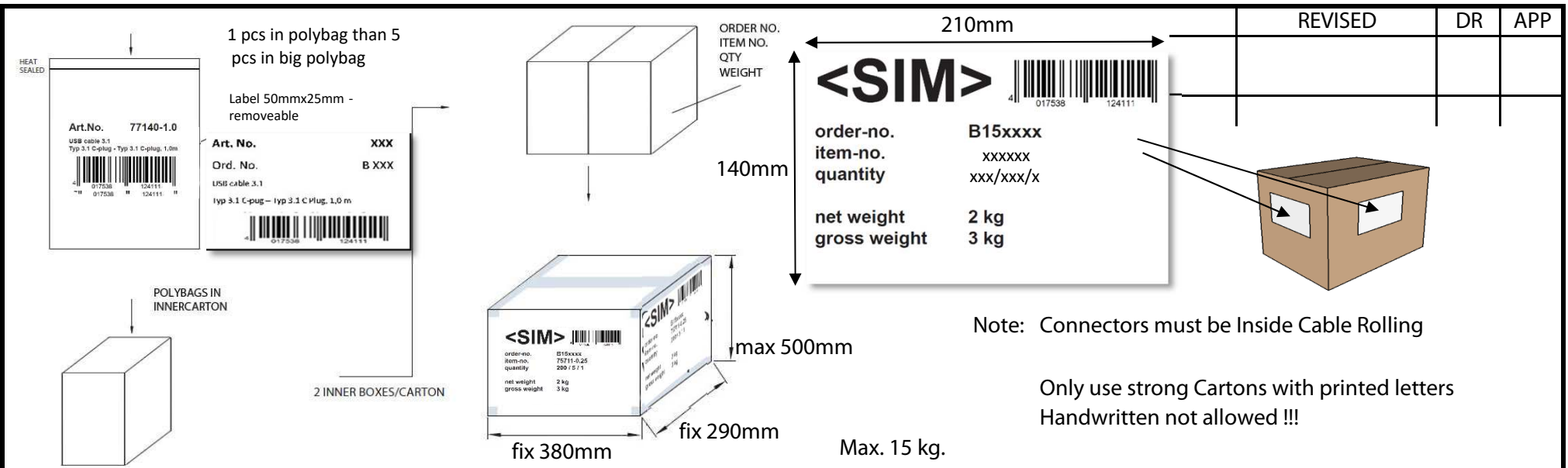


ITEM NO.	LENGTH
03-71015	500±20
03-71025	1000±20
03-71155	1500±20
03-71035	2000±20
03-71045	3000±30

⑥	DUST COVR	TRANSPARETN PE
⑤	OUTER MOLD	ALUMINUM/SILVER
④	BOOT	PVC/DARK BLUE
③	USB AM	USB A MALE, WHITE INSULATION, GOLD PLATED PIN, NICKEL PLATED SHELL
②	USB CM	USB C MALE, GOLD PLATED PIN, NICKEL PLATED SHELL
①	CABLE	28AWG/7COPPER*1P+23AWG/34 COPPER*2C+AL-FOIL+E+BRAID AL-MG, JACKET :PVC/DARK BLUE, OD: 4.5±0.2mm
NO	PART NAME	PICTURES AND COLORS CAN DIFFER FROM THE PRODUCT!



DESCRIPTION		<b>HOME CINEMA USB ADAPTER CABLE, USB-C, 2.0</b>					
SIZE	A4	DATE	22.11.2021	CHECKED		TOL	<b>03-71015</b>
UNIT	MM	DRAWN	R.Hueller	APPROVED			
CUSTOM TARIF NO.: 854442909000							



Note: Connectors must be Inside Cable Rolling

Only use strong Cartons with printed letters  
Handwritten not allowed !!!

ART.NO.	LENGTH	ROLLING SIZE	NET.WEIGHT (g)	PACKING	EAN CODE
03-71015	0.5m	100x80x14mm	25g	360 EXP / 180 INNER - 5/1 in pb with sticker	4017538134813
03-71025	1.0m	100x80x20mm	38g	200 EXP / 100 INNER - 5/1 in pb with sticker	4017538134820
03-71155	1.5m	110x90x20mm	51g	150 EXP / 75 INNER - 5/1 in pb with sticker	4017538134837
03-71035	2.0m	140x120x20mm	66g	140 EXP / 70 INNER - 5/1 in pb with sticker	4017538134844
03-71045	3.0m	140x120x30mm	82g	100 EXP / 50 INNER - 5/1 in pb with sticker	4017538134851

DESCRIPTION		HOME CINEMA USB ADAPTER CABLE, USB-C, 2.0				
SIZE	A4	DATE	22.11.2021	CHECKED		TOL
UNIT	MM	DRAWN	R.Hueller	APPROVED		
CUSTOM TARIF NO.: 854442909000						
<b>03-71015</b>						