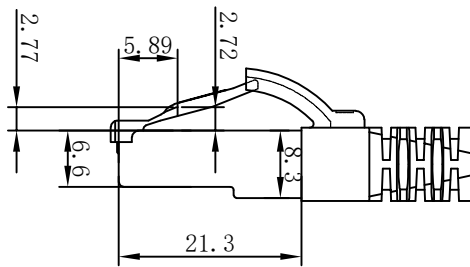
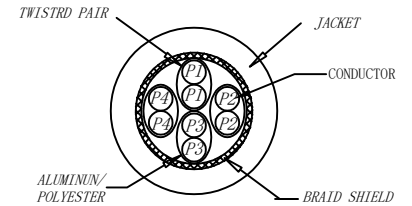
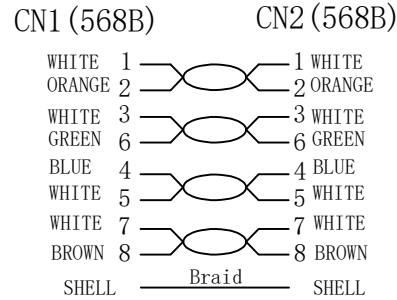


CAT.6 S/FTP TPE-LSZH 250MHz ISO/IEC 11801 & EN50173-1 & ANSI/TIA-568. 2-D www.Synergy21.de CE

PIN OUT



MATERIAL LIST

NO.	PARTS NAME	SPECIFICATION STANDARD	QT' Y	REMARK
⑥	LABEL	NO DRY GLUE LABEL	1	
⑤	MINI TIE	PE MINI TIE(POSSESS METAL) COLOUR SEE THE CHART	2	
④	POLYETHYLENE BAG	SYNERGY 21 SLIP PE BAG	1	
③	CABLE	CAT. 6 S/FTP 27AWG (BC*1P+AL-FOIL)*4+Braid(AL-MG) JACKET:TPE-LSZH OD:6.0±0.2mm COLOUR SEE THE CHART	1	
②	Over mold	80A PVC,COLOR:SEE THE CHART	2	
①	Plug	RJ45 8P8C' S SHIELDED ,THE SHELL PLATED NICKEL ,PIN GOLD PLATED 3u" RED/TRANSPARENT	2	

NOTE:

- ELECTRICAL TEST:
 - 100% OPEN SHORT, MISS WIRE TEST
 - INSULATION RESISTANCE:DC 300V 10M Ohm;
 - CONTACTOR RESISTANCE:1 OHM per meter
- FLUKE TEST LIMIT:ISO11801 Channel Class E
- Working temperature:-10°C ~ + 60°C
- Storage temperature:-20°C~+75°C
- RoHS 3.0 AND REACH compliant
- Low Smoke (IEC 61034)
- Flame retardant (IEC60332-1-2)
- Halogen free (IEC 60754-1/2)
- Packing:Synergy21 PE Bag+Label
- Minimum of the bending radius is 60mm

Hasia		change "ROSH 2.0" to "ROSH 3.0"	2022-02-25	A6	SYNERGY 21					
		Add New Color	2019-03-14	A5						
		Increase the minimum bend radius	2018-11-30	A4	CUSTOMER NO.		ITEM NO.	SEE THE CHART		
		Add moulding size	2018-06-19	A3	PRODUCT NAME	CAT. 6 S/FTP PATCH CORD TPE-LSZH	manufacture country:	CHINA	UNIT	MM
		Change Moulding	2018-05-29	A2	DRAWNBY	CHECKBY	APPOBY	DATE		
		CHANGE PACKING AND BOX MARK	2018-03-12	A1	SYNERGY 21	SYNERGY 21	SYNERGY 21	2015-01-20		
BY	CHK	REVISION RECORD MODIFICATIONS	DATE	REV.						

COLOR:GREY RAL 7035		
ITEM	LENGTH (mm)	PACKING
S216932	150±5	SYNERGY 21 Bag A
S216933	250±10	SYNERGY 21 Bag A
S216934	500±15	SYNERGY 21 Bag A
S216935	1000±30	SYNERGY 21 Bag A
S216936	1500±30	SYNERGY 21 Bag A
S216937	2000±30	SYNERGY 21 Bag A
S216938	3000±50	SYNERGY 21 Bag A
S216939	5000±200	SYNERGY 21 Bag B
S216940	7500±200	SYNERGY 21 Bag B
S216941	10000±200	SYNERGY 21 Bag B
S216942	15000±300	SYNERGY 21 Bag C

COLOR:BLUE PANTONE 647C		
ITEM	LENGTH (mm)	PACKING
S216943	150±5	SYNERGY 21 Bag A
S216944	250±10	SYNERGY 21 Bag A
S216945	500±15	SYNERGY 21 Bag A
S216946	1000±30	SYNERGY 21 Bag A
S216947	1500±30	SYNERGY 21 Bag A
S216948	2000±30	SYNERGY 21 Bag A
S216949	3000±50	SYNERGY 21 Bag A
S216950	5000±200	SYNERGY 21 Bag B
S216951	7500±200	SYNERGY 21 Bag B
S216952	10000±200	SYNERGY 21 Bag B
S216953	15000±300	SYNERGY 21 Bag C

COLOR:YELLOW PANTONE 135C		
ITEM	LENGTH (mm)	PACKING
S216954	150±5	SYNERGY 21 Bag A
S216955	250±10	SYNERGY 21 Bag A
S216956	500±15	SYNERGY 21 Bag A
S216957	1000±30	SYNERGY 21 Bag A
S216958	1500±30	SYNERGY 21 Bag A
S216959	2000±30	SYNERGY 21 Bag A
S216960	3000±50	SYNERGY 21 Bag A
S216961	5000±200	SYNERGY 21 Bag B
S216962	7500±200	SYNERGY 21 Bag B
S216963	10000±200	SYNERGY 21 Bag B
S216964	15000±300	SYNERGY 21 Bag C

COLOR:GREEN PANTONE 3278C		
ITEM	LENGTH (mm)	PACKING
S216965	150±5	SYNERGY 21 Bag A
S216966	250±10	SYNERGY 21 Bag A
S216967	500±15	SYNERGY 21 Bag A
S216968	1000±30	SYNERGY 21 Bag A
S216969	1500±30	SYNERGY 21 Bag A
S216970	2000±30	SYNERGY 21 Bag A
S216971	3000±50	SYNERGY 21 Bag A
S216972	5000±200	SYNERGY 21 Bag B
S216973	7500±200	SYNERGY 21 Bag B
S216974	10000±200	SYNERGY 21 Bag B
S216975	15000±300	SYNERGY 21 Bag C

COLOR:ORANGE PANTONE 1575C		
ITEM	LENGTH (mm)	PACKING
S216976	150±5	SYNERGY 21 Bag A
S216977	250±10	SYNERGY 21 Bag A
S216978	500±15	SYNERGY 21 Bag A
S216979	1000±30	SYNERGY 21 Bag A
S216980	1500±30	SYNERGY 21 Bag A
S216981	2000±30	SYNERGY 21 Bag A
S216982	3000±50	SYNERGY 21 Bag A
S216983	5000±200	SYNERGY 21 Bag B
S216984	7500±200	SYNERGY 21 Bag B
S216985	10000±200	SYNERGY 21 Bag B
S216986	15000±300	SYNERGY 21 Bag C

COLOR:MAGENTA PANTONE 212C		
ITEM	LENGTH (mm)	PACKING
S216987	150±5	SYNERGY 21 Bag A
S216988	250±10	SYNERGY 21 Bag A
S216989	500±15	SYNERGY 21 Bag A
S216990	1000±30	SYNERGY 21 Bag A
S216991	1500±30	SYNERGY 21 Bag A
S216992	2000±30	SYNERGY 21 Bag A
S216993	3000±50	SYNERGY 21 Bag A
S216994	5000±200	SYNERGY 21 Bag B
S216995	7500±200	SYNERGY 21 Bag B
S216996	10000±200	SYNERGY 21 Bag B
S216997	15000±300	SYNERGY 21 Bag C

SYNERGY 21									
						CUSTOMER NO.		ITEM NO.	SEE THE CHART
						PRODUCT NAME	CAT. 6 S/FTP PATCH CORD TPE-LSZH	manufacture country:	CHINA UNIT MM
			NEW	2015-01-20	A	DRAWNBY	CHECKBY	APPOBY	DATE
BY	CHK	REVISION RECORD MODIFICATIONS			DATE	REV.	SYNERGY 21	SYNERGY 21	SYNERGY 21 2015-01-20