

SMART PARKING SENSOR

S-LG-I3 (LoRaWAN)

WITH TRIPLE DETECTION TECHNOLOGY



LoRa Alliance Member



S-LGI3 accurately detects parking events and filters out magnetic interference using triple detection technology. Sensors and algorithms are tuned for ultra-low power consumption, providing continuous vehicle detection and complete monitoring of parking spots.

KEY FEATURES

- Accurate real-time vehicle detection using magnetic sensor, motion detection and 60GHz radar technology.
- Sensor auto-calibration on frequent intervals
- System error and status logging
- Surface mount, in-ground or flush mount
- In-ground model installation using epoxy or flush mount with easily removable core
- LoRaWAN compatible
- Operating temperature: -40°C to 85°C
- Relative humidity: up to 100%
- Vehicle identification applicable for handicapped and resident parking spots
- Mobile App, available for integration and testing process, enables OTA firmware update via BLE, parameter configuration and functionality testing



Battery life up to 10 years*



OTA firmware update and settings customization



Parked vehicle identification via portable tag pairing



Highly configurable through downlink commands and a mobile app



Detection sensors failure alert
Sound alert for system errors

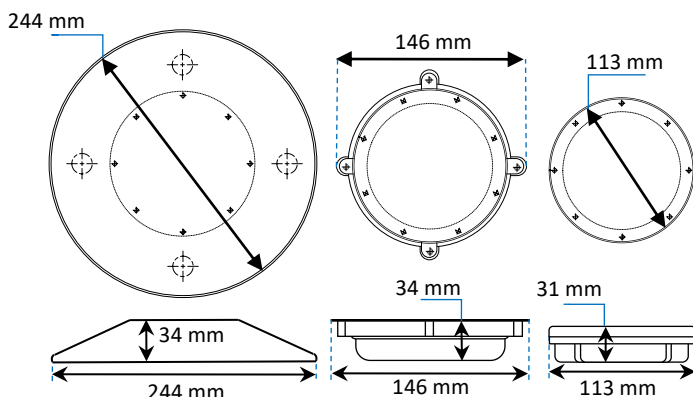
The sensor transmits data every time the parking spot becomes occupied or vacant and on configurable intervals thereafter. The sensor informs about the current occupancy status, battery voltage and temperature in each message sent.

* Battery life depends on environmental conditions and use. Under average circumstances, an average of 15 messages per day using LoRa-WAN communication with SF9 and normal environmental conditions

LoRaWAN SPECIFICS

- LoRaWAN Device class A
- Long range coverage (Tx: 14dBm)
- Adaptive data rate (ADR)
- Frequency bands: EU868 MHz (EU)
- Input Sensitivity: -146 dBm (EU)
- Available for LoRa-WAN v.1.0.1 / v.1.0.2

SENSOR DRAWING



Surface mount

Flush mount

In-ground

CERTIFICATIONS

- CE Red
- IK10
- IP68/IPx9K
- LoRaWAN Alliance Certified

