

## Synergy 21 LED LoRa (433MHz) controller DMX LoRa \*Milight/Miboxer\*



Experience an innovative and reliable solution for your smart home lighting with the **433MHz Gateway**. This state-of-the-art gateway offers seamless integration and control of your lighting systems by utilising advanced communication technologies.

The **433MHz gateway** is powered by an **input voltage of DC5V/500mA** and uses a **5.5\*2.1mm** connector. It is suitable for use in a wide temperature range from **-20°C to 60°C**, making it extremely versatile and durable.

Thanks to **WiFi IEEE 802.11 b/g/n 2.4GHz** communication technology, this gateway enables a fast and stable connection to your smart home devices. It supports **DMX512(1990)** input signals, making it perfect for professional lighting applications.

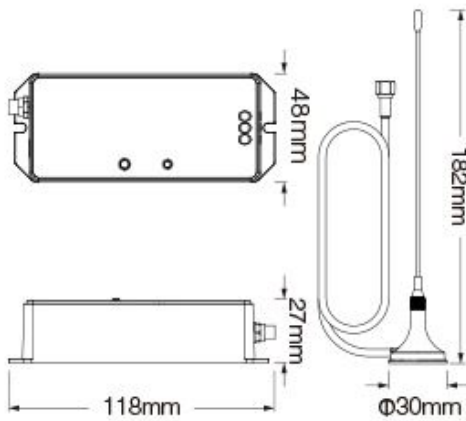
With a **433MHz RF frequency** and a **transmission power of 15dBm**, the gateway offers reliable control of your lighting. The **LoRa spread spectrum modulation** ensures exceptional range and signal strength. Under ideal conditions, the gateway can achieve a control distance of **1000 metres in open areas** and **50 metres underwater** (with lamps up to 0.5 metres underwater).

Optimise your lighting solutions with the **433MHz gateway** and enjoy powerful, flexible and far-reaching control.

Product Name: 433MHz Gateway  
Model No.: WL-433  
Input: DC5V/500mA ( 5.5\*2.1mm)  
Working Temperature: -20~60°  
Communication Mode: WiFi-IEEE 802.11 b/g/n 2.4GHz  
Input Signal: DMX512(1990)  
RF: 433MHz ( Transmitting Power: 15dBm)

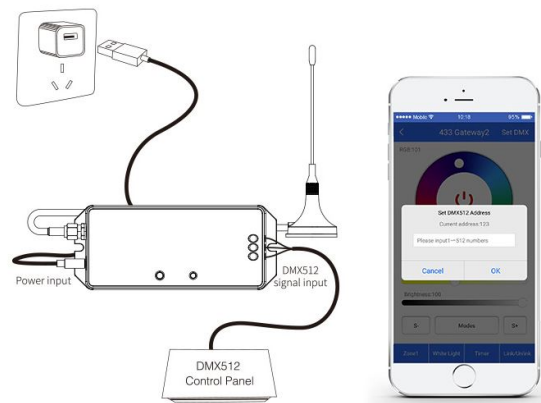
Modulation Method: LoRa spread spectrum  
Control Distance: 50m (Lamps into 0.5m under freshwater)  
Control Distance: 1000m (Lamps on the open area)

## Additional Images



### Support DMX512(1990) control

Set DMX512 address for gateway on Popup window via Smart Phone APP



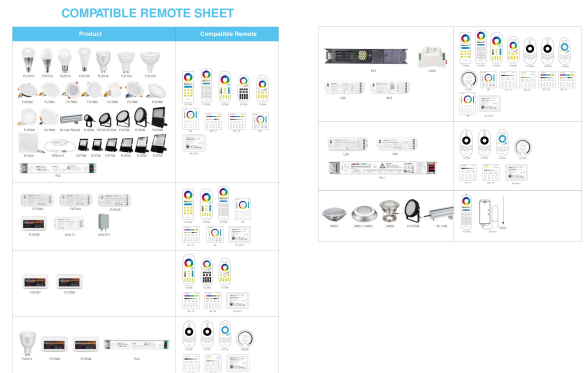
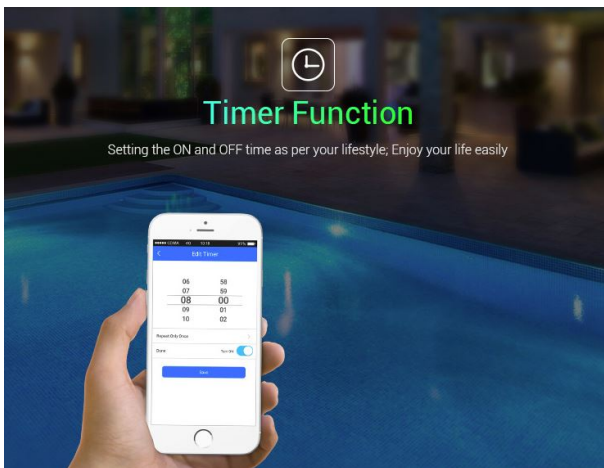
### Compatible with MiBoxer 433MHz series products



### Smart Phone APP Control at any time and place

3G/4G controlling by Smart Phone at any time and place





## Accessories

Part No.	Name
178057	Synergy 21 LED LoRa (433MHZ) poollight 15W RGB+CCT *Milight/Miboxer*
178058	Synergy 21 LED LoRa (433MHZ) controller DMX LoRa *Milight/Miboxer*
178059	Synergy 21 LED LoRa (433MHZ) pool light 27W RGB+CCT *Milight/Miboxer*
178060	Synergy 21 LED LoRa (433MHZ) pool lamp 9W RGB+CCT *Milight/Miboxer*
178061	Synergy 21 LED LoRa (433MHZ) PAR56 pool light 27W RGB+CCT *Milight/Miboxer*
178062	Synergy 21 LED LoRa (433MHZ) remote *Milight/Miboxer*

Part No.	Name
178154	Synergy 21 LED LoRa (433MHZ) garden lamp 25W RGB-WW with RF IP66 230V *Milight/Miboxer*
178172	Synergy 21 LED LoRa (433MHZ) wallwasher 24W RGB+CCT IP66 *Milight/Miboxer*