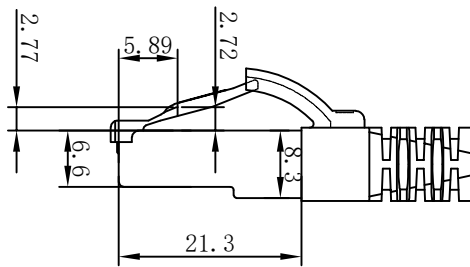
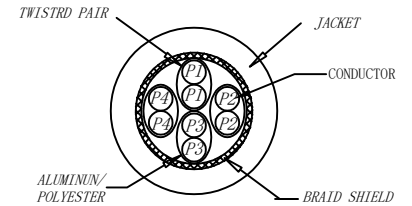
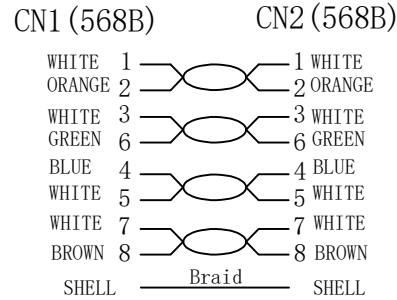


CAT.6 S/FTP TPE-LSZH 250MHz ISO/IEC 11801 & EN50173-1 & ANSI/TIA-568. 2-D www.Synergy21.de CE

PIN OUT



MATERIAL LIST

| | | | | |
|-----|------------------|---|-------|--------|
| ⑥ | LABEL | NO DRY GLUE LABEL | 1 | |
| ⑤ | MINI TIE | PE MINI TIE(POSSESS METAL) COLOUR SEE THE CHART | 2 | |
| ④ | POLYETHYLENE BAG | SYNERGY 21 SLIP PE BAG | 1 | |
| ③ | CABLE | CAT. 6 S/FTP 27AWG (BC*1P+AL-FOIL)*4+Braid(AL-MG) JACKET:TPE-LSZH OD:6.0±0.2mm COLOUR SEE THE CHART | 1 | |
| ② | Over mold | 80A PVC,COLOR:SEE THE CHART | 2 | |
| ① | Plug | RJ45 8P8C' S SHIELDED ,THE SHELL PLATED NICKEL ,PIN GOLD PLATED 3u" RED/TRANSPARENT | 2 | |
| NO. | PARTS NAME | SPECIFICATION STANDARD | QT' Y | REMARK |

NOTE:

- ELECTRICAL TEST:
 - 100% OPEN SHORT, MISS WIRE TEST
 - INSULATION RESISTANCE:DC 300V 10M Ohm;
 - CONTACTOR RESISTANCE:1 OHM per meter
- FLUKE TEST LIMIT:ISO11801 Channel Class E
- Working temperature:-10°C ~ + 60°C
- Storage temperature:-20°C~+75°C
- RoHS 3.0 AND REACH compliant
- Low Smoke (IEC 61034)
- Flame retardant (IEC60332-1-2)
- Halogen free (IEC 60754-1/2)
- Packing:Synergy21 PE Bag+Label
- Minimum of the bending radius is 60mm

| | | | | | | | | | | |
|-------|-----|----------------------------------|------------|------|-------------------|----------------------------------|----------------------|---------------|------|----|
| Hasia | | change "ROSH 2.0" to "ROSH 3.0" | 2022-02-25 | A6 | SYNERGY 21 | | | | | |
| | | Add New Color | 2019-03-14 | A5 | | | | | | |
| | | Increase the minimum bend radius | 2018-11-30 | A4 | CUSTOMER NO. | | ITEM NO. | SEE THE CHART | | |
| | | Add moulding size | 2018-06-19 | A3 | PRODUCT NAME | CAT. 6 S/FTP PATCH CORD TPE-LSZH | manufacture country: | CHINA | UNIT | MM |
| | | Change Moulding | 2018-05-29 | A2 | DRAWNBY | CHECKBY | APPOBY | DATE | | |
| | | CHANGE PACKING AND BOX MARK | 2018-03-12 | A1 | SYNERGY 21 | SYNERGY 21 | SYNERGY 21 | 2015-01-20 | | |
| BY | CHK | REVISION RECORD MODIFICATIONS | DATE | REV. | | | | | | |

| COLOR:GREY RAL 7035 | | |
|---------------------|-------------|------------------|
| ITEM | LENGTH (mm) | PACKING |
| S216932 | 150±5 | SYNERGY 21 Bag A |
| S216933 | 250±10 | SYNERGY 21 Bag A |
| S216934 | 500±15 | SYNERGY 21 Bag A |
| S216935 | 1000±30 | SYNERGY 21 Bag A |
| S216936 | 1500±30 | SYNERGY 21 Bag A |
| S216937 | 2000±30 | SYNERGY 21 Bag A |
| S216938 | 3000±50 | SYNERGY 21 Bag A |
| S216939 | 5000±200 | SYNERGY 21 Bag B |
| S216940 | 7500±200 | SYNERGY 21 Bag B |
| S216941 | 10000±200 | SYNERGY 21 Bag B |
| S216942 | 15000±300 | SYNERGY 21 Bag C |

| COLOR:BLUE PANTONE 647C | | |
|-------------------------|-------------|------------------|
| ITEM | LENGTH (mm) | PACKING |
| S216943 | 150±5 | SYNERGY 21 Bag A |
| S216944 | 250±10 | SYNERGY 21 Bag A |
| S216945 | 500±15 | SYNERGY 21 Bag A |
| S216946 | 1000±30 | SYNERGY 21 Bag A |
| S216947 | 1500±30 | SYNERGY 21 Bag A |
| S216948 | 2000±30 | SYNERGY 21 Bag A |
| S216949 | 3000±50 | SYNERGY 21 Bag A |
| S216950 | 5000±200 | SYNERGY 21 Bag B |
| S216951 | 7500±200 | SYNERGY 21 Bag B |
| S216952 | 10000±200 | SYNERGY 21 Bag B |
| S216953 | 15000±300 | SYNERGY 21 Bag C |

| COLOR:YELLOW PANTONE 135C | | |
|---------------------------|-------------|------------------|
| ITEM | LENGTH (mm) | PACKING |
| S216954 | 150±5 | SYNERGY 21 Bag A |
| S216955 | 250±10 | SYNERGY 21 Bag A |
| S216956 | 500±15 | SYNERGY 21 Bag A |
| S216957 | 1000±30 | SYNERGY 21 Bag A |
| S216958 | 1500±30 | SYNERGY 21 Bag A |
| S216959 | 2000±30 | SYNERGY 21 Bag A |
| S216960 | 3000±50 | SYNERGY 21 Bag A |
| S216961 | 5000±200 | SYNERGY 21 Bag B |
| S216962 | 7500±200 | SYNERGY 21 Bag B |
| S216963 | 10000±200 | SYNERGY 21 Bag B |
| S216964 | 15000±300 | SYNERGY 21 Bag C |

| COLOR:GREEN PANTONE 3278C | | |
|---------------------------|-------------|------------------|
| ITEM | LENGTH (mm) | PACKING |
| S216965 | 150±5 | SYNERGY 21 Bag A |
| S216966 | 250±10 | SYNERGY 21 Bag A |
| S216967 | 500±15 | SYNERGY 21 Bag A |
| S216968 | 1000±30 | SYNERGY 21 Bag A |
| S216969 | 1500±30 | SYNERGY 21 Bag A |
| S216970 | 2000±30 | SYNERGY 21 Bag A |
| S216971 | 3000±50 | SYNERGY 21 Bag A |
| S216972 | 5000±200 | SYNERGY 21 Bag B |
| S216973 | 7500±200 | SYNERGY 21 Bag B |
| S216974 | 10000±200 | SYNERGY 21 Bag B |
| S216975 | 15000±300 | SYNERGY 21 Bag C |

| COLOR:ORANGE PANTONE 1575C | | |
|----------------------------|-------------|------------------|
| ITEM | LENGTH (mm) | PACKING |
| S216976 | 150±5 | SYNERGY 21 Bag A |
| S216977 | 250±10 | SYNERGY 21 Bag A |
| S216978 | 500±15 | SYNERGY 21 Bag A |
| S216979 | 1000±30 | SYNERGY 21 Bag A |
| S216980 | 1500±30 | SYNERGY 21 Bag A |
| S216981 | 2000±30 | SYNERGY 21 Bag A |
| S216982 | 3000±50 | SYNERGY 21 Bag A |
| S216983 | 5000±200 | SYNERGY 21 Bag B |
| S216984 | 7500±200 | SYNERGY 21 Bag B |
| S216985 | 10000±200 | SYNERGY 21 Bag B |
| S216986 | 15000±300 | SYNERGY 21 Bag C |

| COLOR:MAGENTA PANTONE 212C | | |
|----------------------------|-------------|------------------|
| ITEM | LENGTH (mm) | PACKING |
| S216987 | 150±5 | SYNERGY 21 Bag A |
| S216988 | 250±10 | SYNERGY 21 Bag A |
| S216989 | 500±15 | SYNERGY 21 Bag A |
| S216990 | 1000±30 | SYNERGY 21 Bag A |
| S216991 | 1500±30 | SYNERGY 21 Bag A |
| S216992 | 2000±30 | SYNERGY 21 Bag A |
| S216993 | 3000±50 | SYNERGY 21 Bag A |
| S216994 | 5000±200 | SYNERGY 21 Bag B |
| S216995 | 7500±200 | SYNERGY 21 Bag B |
| S216996 | 10000±200 | SYNERGY 21 Bag B |
| S216997 | 15000±300 | SYNERGY 21 Bag C |

| | | | | | | | | | |
|-------------------|-----|-------------------------------|-----|------------|------|--------------|----------------------------------|----------------------|-----------------------|
| SYNERGY 21 | | | | | | | | | |
| | | | | | | CUSTOMER NO. | | ITEM NO. | SEE THE CHART |
| | | | | | | PRODUCT NAME | CAT. 6 S/FTP PATCH CORD TPE-LSZH | manufacture country: | CHINA UNIT MM |
| | | | NEW | 2015-01-20 | A | DRAWNBY | CHECKBY | APPOBY | DATE |
| BY | CHK | REVISION RECORD MODIFICATIONS | | | DATE | REV. | SYNERGY 21 | SYNERGY 21 | SYNERGY 21 2015-01-20 |