



## MECHANICAL SPECIFICATIONS

Dimensions: 23.62" x 10.24" x 4.08" (600x260x103.6mm)

Material: Steel

Weight: 7.05 lbs. (3.2 kg)

Color: White

Installation: 3/8" All-Thread or Beam Clamp

Range of beam sizes that the beam clamp mount can attach to:

Min: 1.5" (38.1mm) wide

Max: 3" (76.2mm) wide/up to 5/8" thick



## ENVIRONMENTAL SPECIFICATIONS

Installation Environment: Indoors



## WARRANTY

1 Year Limited Warranty

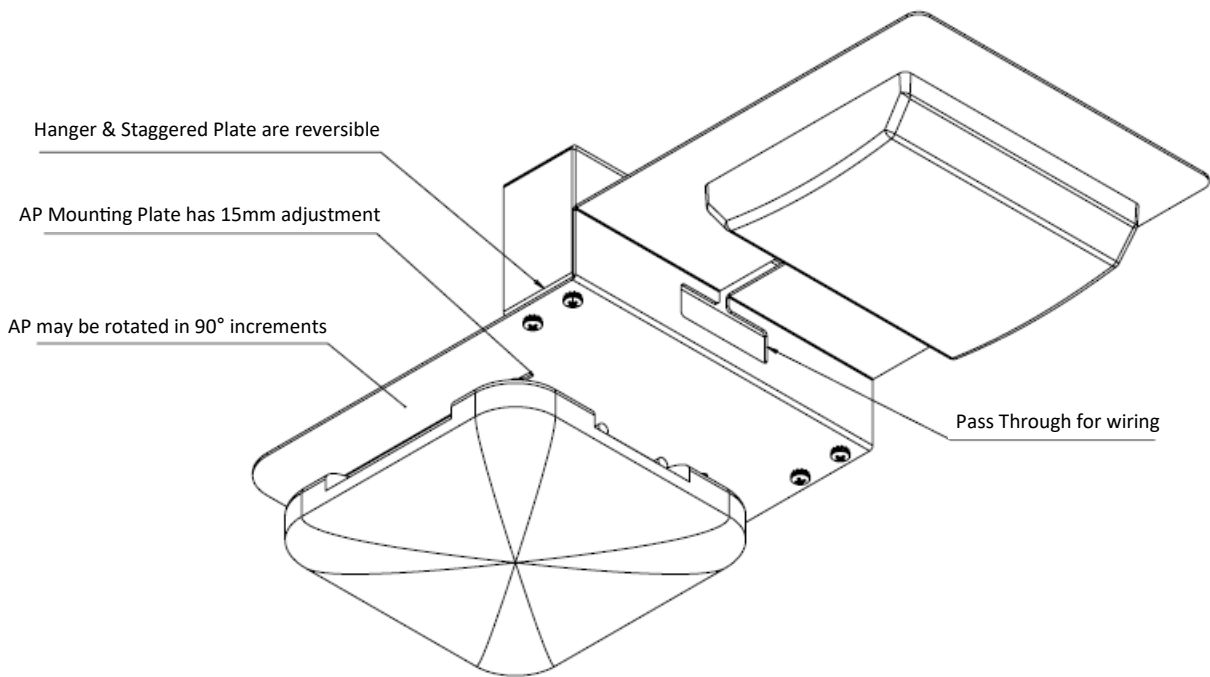
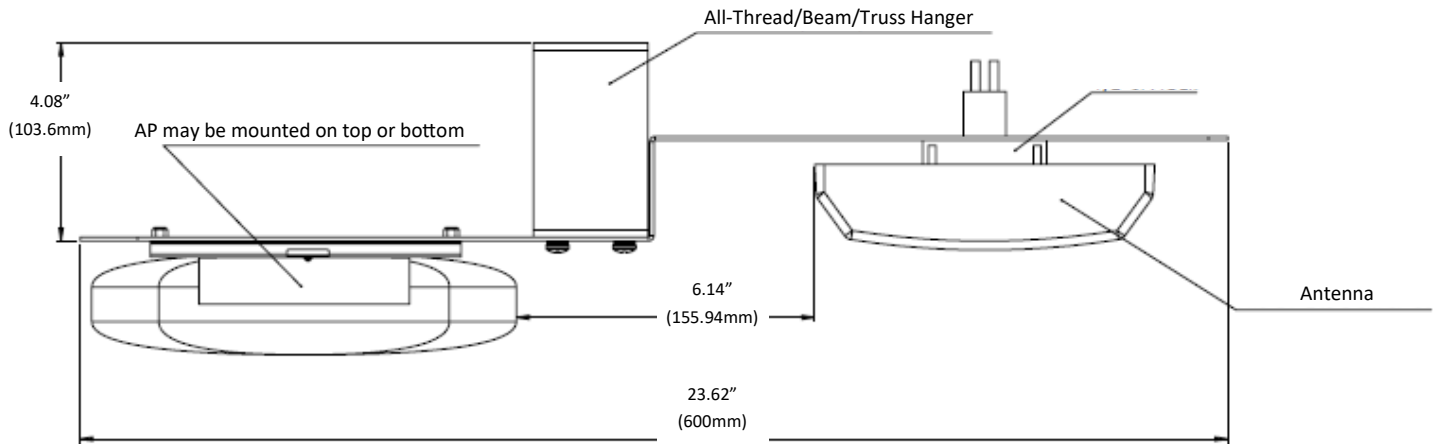


## FEATURES

- Opening for antenna leads
- Antenna on top level with AP on bottom level OR antenna on bottom level with AP on top level
- AP mounting plate can be adjusted to accommodate AP mounting
- New beam clamp mounting design to allow for better adjustment to meet the size of beam clamps
- Specifically designed for instances where AP use BLE and need to be lower than the antenna



# STAGGERED AP AND OMNI OR PATCH ANTENNA ALL-THREAD DROP MOUNT ATS-DRPMNT-UNIV1-STGXTD-OOOP OUTLINE DRAWING



\*Range of beam sizes that the beam clamp mount can attach to:

Min: 1.5" wide

Max: 3" wide up to 5/8" thick

