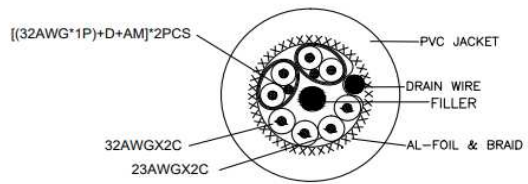
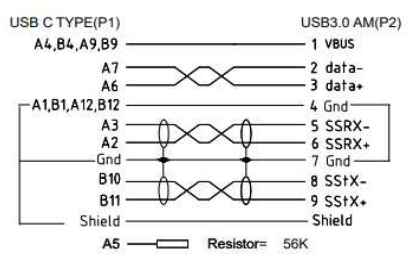


	REVISED	DR	APP



PIN ASSIGNMENT:



NOTE:
 1. Electronic test
 1.1 Open/short 100% test
 2. Max. Data rate: Up to 5Gbps
 RoHS2.0 (2011/65/EU) Compliant

- Connections: USB-A plug to USB-C plug
- max. Bandwidth: 5 Gbps
- USB version: USB 3.0 (SuperSpeed USB)
- Compatible with all USB Type-A interfaces (i.a.): Hi-Speed USB, SuperSpeed USB 5Gbps, SuperSpeed USB 10Gbps
- Suitable for USB quick chargers (up to 18W)

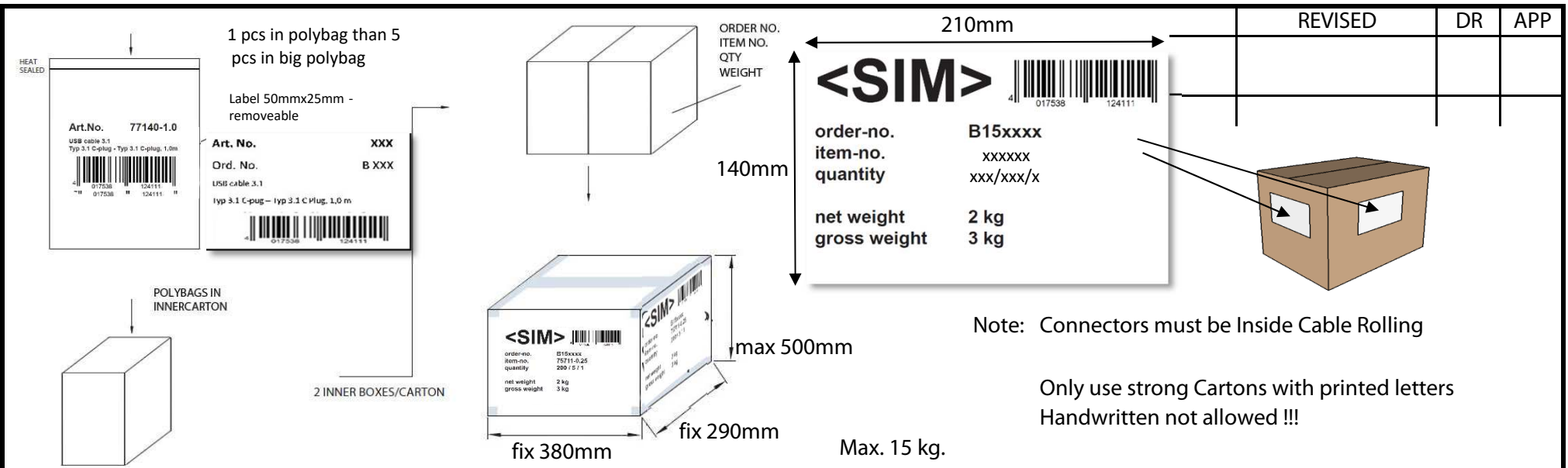
- Wire material: copper
- Plug: moulded
- Plug material: CuZnNi
- Contact surface: gold-plated pins
- Plug cover: metal, ALU
- Cable type: round cable
- Material cable sheath: "Highflex" PVC
- Cable sheath diameter (ca.): 4.5mm
- Color: blue

ITEM NO.	LENGTH
03-75015	500±20
03-75025	1000±20
03-75155	1500±20
03-75035	2000±20

⑥	DUST COVR	TRANSPARETN PE
⑤	OUTER MOLD	ALUMINUM/SILVER
④	BOOT	PVC/DARK BLUE
③	USB AM	USB A MALE, BLUE INSULATION, GOLD PLATED PIN, NICKEL PLATED SHELL
②	USB CM	USB C MALE, GOLD PLATED PIN, NICKEL PLATED SHELL
①	CABLE	[32AWG/1 COPPER*1P+E+AM]*2C+32AWG/1 COPPER*1P+23AWG/8 COPPER*2C +AL-FOIL+E+BRAID AL-MG, JACKET :PVC/DARK BLUE, OD:5.0±0.2mm
NO	PART NAME	PICTURES AND COLORS CAN DIFFER FROM THE PRODUCT!



DESCRIPTION		HOME CINEMA USB-A ADAPTER CABLE, USB-C, 3.0					
SIZE	A4	DATE	22.11.2021	CHECKED		TOL	03-75015
UNIT	MM	DRAWN	R.Hueller	APPROVED			
CUSTOM TARIF NO.: 854442909000							



ART.NO.	LENGTH	ROLLING SIZE	NET.WEIGHT (g)	PACKING	EAN CODE
03-75015	0.5m	100x80x14mm	25g	400 EXP / 200 INNER - 5/1 in pb with sticker	4017538134912
03-75025	1.0m	100x80x20mm	38g	200 EXP / 100 INNER - 5/1 in pb with sticker	4017538134929
03-75155	1.5m	110x90x20mm	51g	150 EXP / 75 INNER - 5/1 in pb with sticker	4017538134936
03-75035	2.0m	140x120x20mm	66g	140 EXP / 70 INNER - 5/1 in pb with sticker	4017538134943

DESCRIPTION		HOME CINEMA USB-A ADAPTER CABLE, USB-C, 3.0				
SIZE	A4	DATE	22.11.2021	CHECKED		TOL
UNIT	MM	DRAWN	R.Hueller	APPROVED		
CUSTOM TARIF NO.: 854442909000						
						03-75015