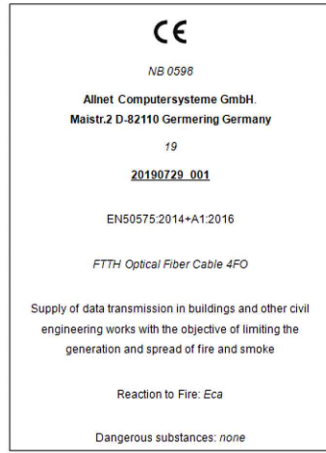


Colored Coating Fiber: 250um ± 15um
 Inner Jacket: black
 Polyester yarn
 Outer Jacket: White (RAL9001) 2.2mm ± 0.2mm



Tension (Short Term)	120N, no change in attenuation after the test, no sheath damage
Tension (Long Term)	60N, no change in attenuation
Crush (Short Term)	500N/100mm, no fiber breakage, no sheath damage
Crush (Long Term)	100N/100mm, no change in attenuation

ITEM NO.	LENGTH	FIBER	Color
S215576V2. 20m	20M	G657. A2	White
S215576V2. 40m	40M	G657. A2	White
S215576V2. 60m	60M	G657. A2	White

Note:
 1. Grade Designation: Each to Reference
 2. ROHS 3.0 and REACH Compliant
 3. Bending insensitive fiber

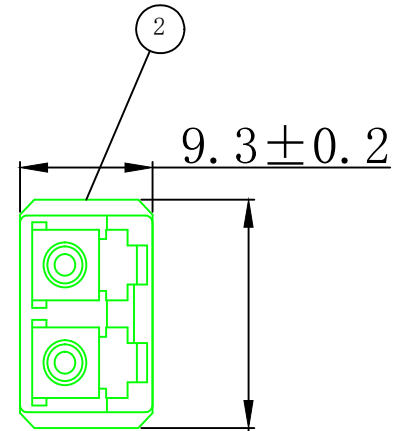
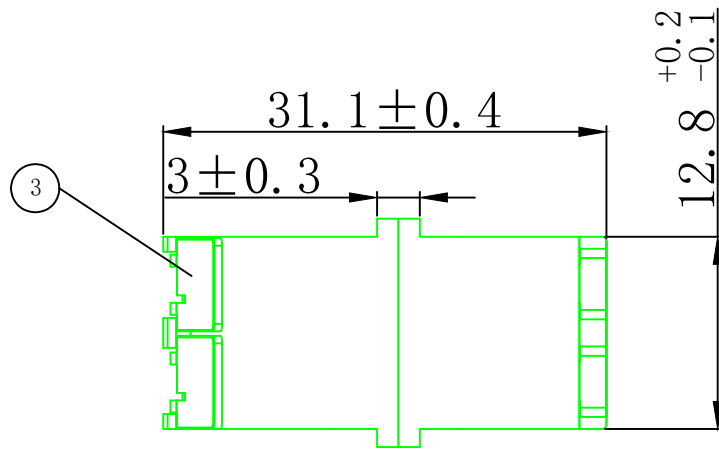
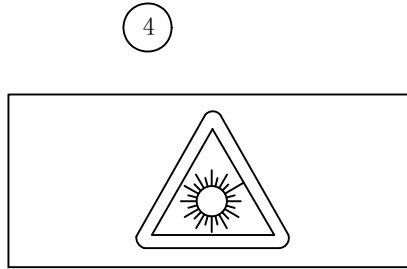
Type	Single-Mode
Insertion Loss	≤ 0.30dB
Return Loss	≥ 60dB
Test Wavelength	1310nm

①	0.9 Tube Hytrel Color:Red	440mm	
⑩	0.9 Tube Hytrel Color:Blue	440mm	
⑨	0.9 Tube Hytrel Color:Green	530mm	
⑧	0.9 Tube Hytrel Color:Yellow	530mm	
⑦	Heat Shrink Tubing	1	
⑥	Fanout Heat Shrink Tubing	1	
⑤	FIBER OPTICAL CABLE G657.A2 4C 250um Yellow Green Blue Red with KEVLAR Jacket LSZH OD: 2.2mm Color:White Printing: FIBER OPTICAL CABLE 4FO SM 9/125um G657.A2 LSZH HT CPR Eca MM/YYYY XXXXm	Xm	
④	LC White Dust Cap	4	
③	LC/APC 8° Ferrule	4	
②	LC SM 0.9 Green Connector	4	
①	LC 0.9mm Green Boot	4	

NO	SPECIFICATION STANDARD	QT'Y	REMARK
----	------------------------	------	--------

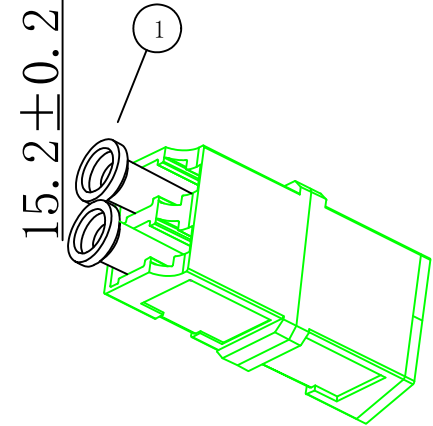
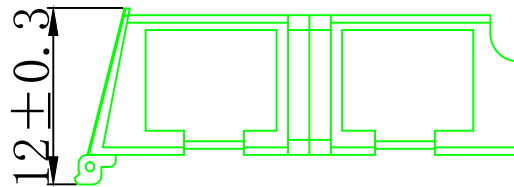
SYNERGY21					
CUSTOMER	AN	ITEM NO.	see the chart		
PRODUCT NAME	4 cores LC/APC 8° fiber cable	Manufacture country	CHINA	UNIT	mm
DRAWNBY	CHECKBY	APPOBY	DATE		
SYNERGY21	SYNERGY21	SYNERGY21	2022-07-25		

BY	CHK	REVISION RECORD MODIFICATIONS	DATE	REV.
		NEW	2022-07-25	A



NOTE:
ROHS 3.0 & Reach COMPLIANT

Typical Insertion Loss (dB)	≤0.12
Insertion Loss (dB)	≤0.20
Operating Temperature (° C)	-40 ~ +80
Storage Temperature (° C)	-40 ~ +85



MATERIAL LIST:

④	Note that the laser label (Red Blue Green Yellow)	2pcs	
③	White Dust Cap	2pcs	
②	LC Green Housing (SC simplex footprint)	1pcs	
①	LC White Dust Cap	2pcs	
NO.	SPECIFICATION STANDARD	QT' Y	REMARK

SYNERGY21					
CUSTOMER	AN	ITEM NO.	See the chart		
PRODUCT NAME	LC/APC Green (Ceramic) Duplex Adapter (With External Laser Protection Shutter) w/o Flange	Manufacture country	CHINA	UNIT	mm
DRAWNBY	CHECKBY	APPOBY	DATE		
SYNERGY21	SYNERGY21	SYNERGY21	2022-07-25		

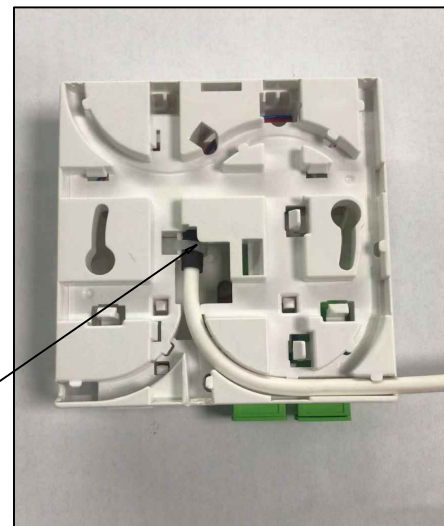
NEW		2022-07-25	A
BY	CHK	REVISION RECORD MODIFICATIONS	DATE

Red Blue Green Yellow

Adapter label



One lap

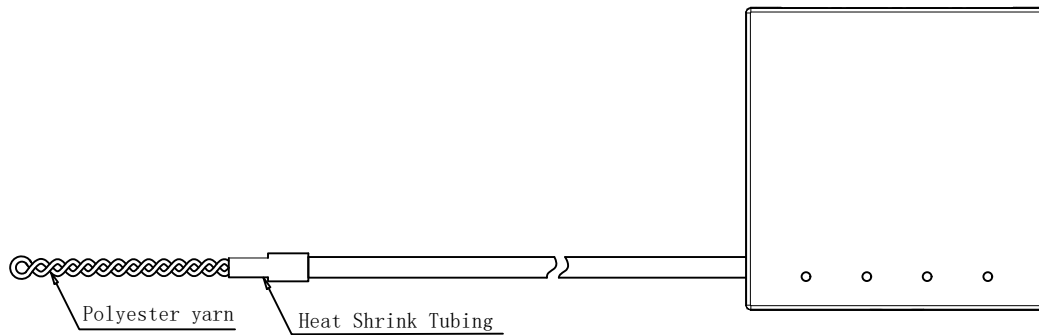


Cable tie

SYNERGY21									
CUSTOMER		AN		ITEM NO.		see the chart			
PRODUCT NAME		Assemble			Manufacture country		CHINA	UNIT	mm
DRAWNBY		CHECKBY		APPOBY		DATE			
SYNERGY21		SYNERGY21		SYNERGY21		2022-07-25			

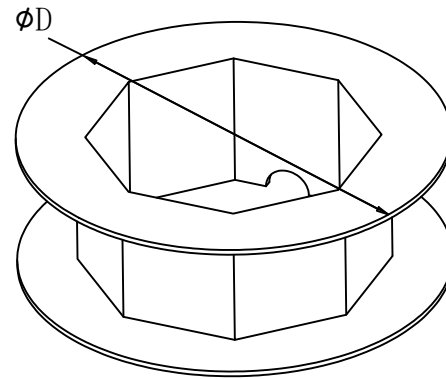
NEW		2022-07-25		A	
BY	CHK	REVISION RECORD MODIFICATIONS		DATE	REV.

End-product drawing

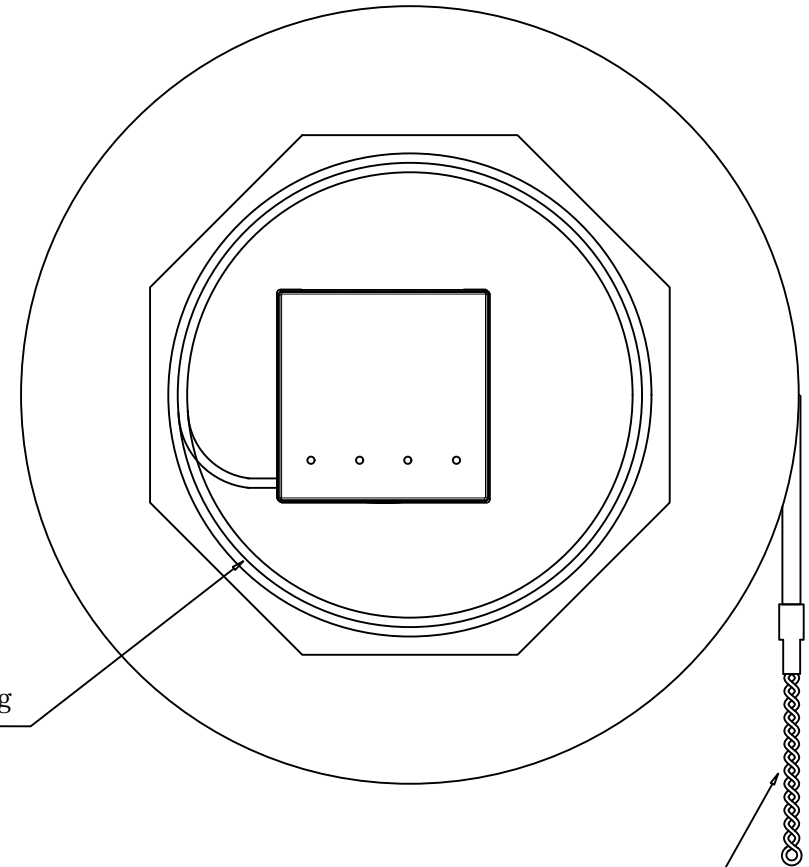


Polyester yarn

Heat Shrink Tubing



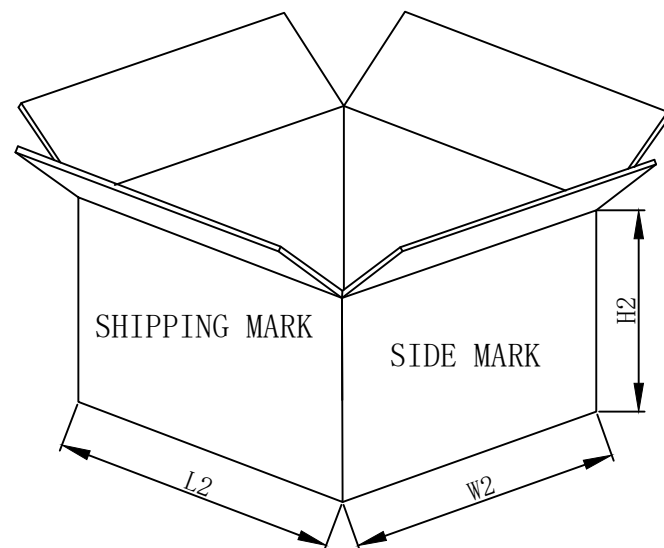
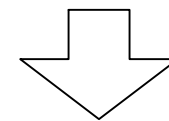
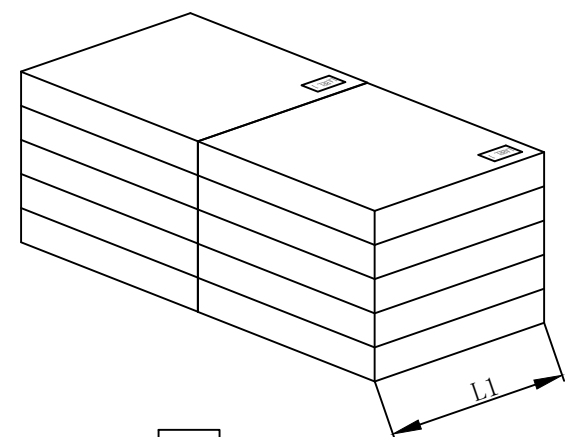
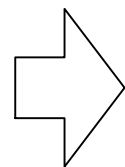
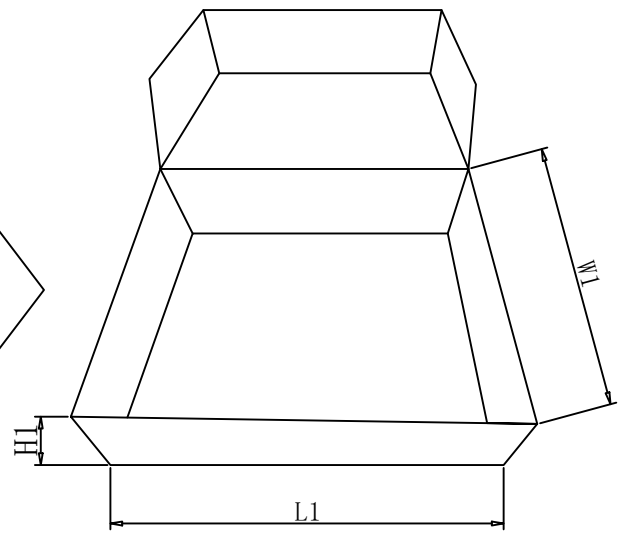
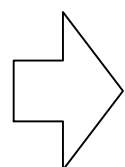
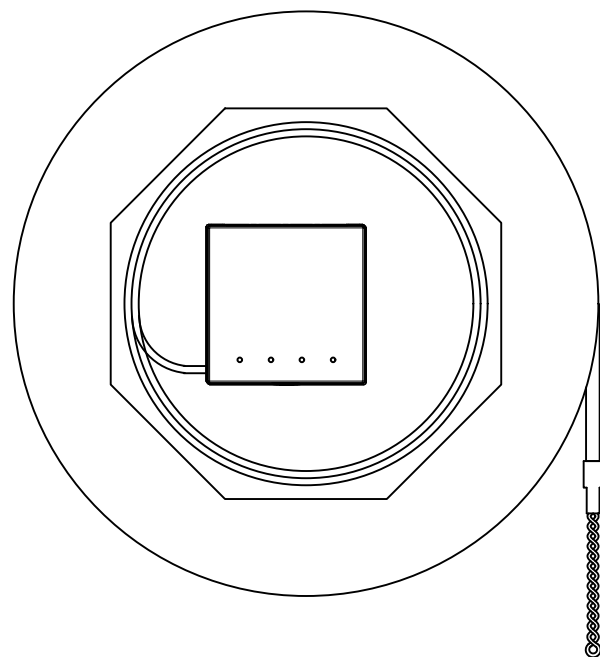
Paper shaft



1 meters long

Clockwise winding

										SYNERGY21				
						CUSTOMER		AN		ITEM NO.		See the chart		
						PRODUCT NAME		Assemble		Manufacture country		CHINA	UNIT	mm
		NEW		2022-07-25		A		DRAWNBY		CHECKBY		APPOBY		DATE
BY	CHK	REVISION RECORD MODIFICATIONS		DATE	REV.	SYNERGY21		SYNERGY21		SYNERGY21		2022-07-25		



ITEM NO.	LENGTH	FIBER	Color
S215576V2. 20m	20M	G657. A2	White
S215576V2. 40m	40M	G657. A2	White
S215576V2. 60m	60M	G657. A2	White

SinglePack: 1pc/box+label; SubPack: no; Carton +labelx2;

SYNERGY21										
					CUSTOMER	AN	ITEM NO.	see the chart		
					PRODUCT NAME	PACKING	Manufacture country	CHINA	UNIT mm	
			NEW	2022-07-25	A	DRAWNBY	CHECKBY	APPOBY	DATE	
BY	CHK	REVISION RECORD MODIFICATIONS			DATE	REV.	SYNERGY21	SYNERGY21	SYNERGY21	2022-07-25