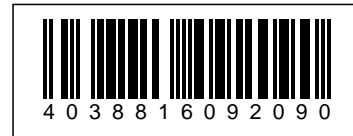
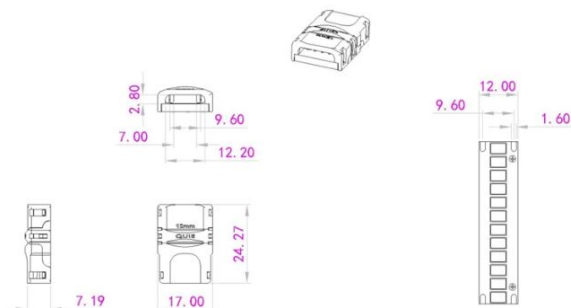


Synergy 21 LED FLEX Strip zub. Easy Connect Strip to Wire 12mm HD



Synergy 21 LED FLEX Strip zub. Easy Connect Strip to Wire High Density Strip use like 240LEDs no wire, 2 pin, DC3V-24V / 5A; for PCB width: 12mm single color Solderpad: 2 5pcs per paper box

Weitere Bilder



Zubehör

Art.-Nr.	Name
----------	------
