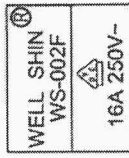
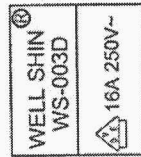


MARKING:



MARKING:



ITEM	DESCRIPTION	COLOR	QTY
①	WS-003D, APPROVAL: VDE	BLACK	1
②	WS-002F, APPROVAL: VDE	BLACK	1
③	H05VV-F 3G 1.50MM <sup>2</sup> , APPROVAL: VDE, FI, D, N, S, SEV, SAA	BLACK	1
④	CABLE TIE		1

TOLERANCES ±0.25

UNIT mm

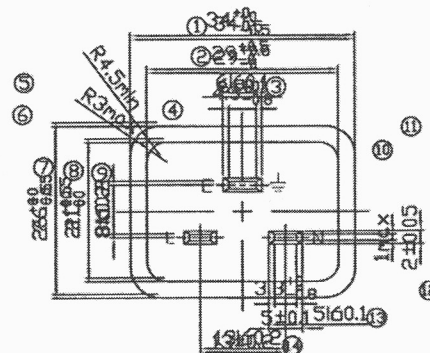
RoHS COMPLIANT

PART NO. EK519-2,5

TITLE: IEC CORD WITH IEC320-C20 &  
IEC320-C19 H05VV-F3G 1.5MMSQ  
CABLE BLACK

(MARKING)

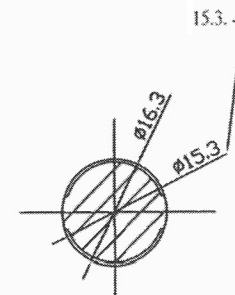
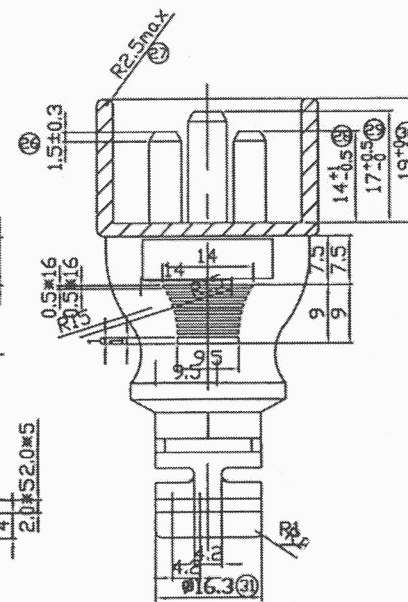
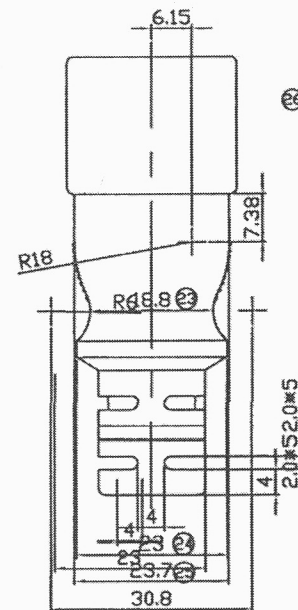
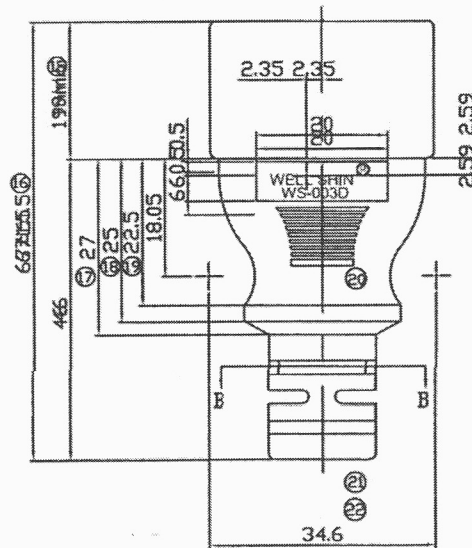
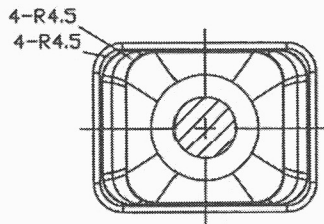
WELL SHIN  
WS-003D  
16A 250V~



B-B SECTION

0-5	±0.2
5-15	±0.3
15-30	±0.5
30-100	±0.8
100-300	±1.0
300-1000	±1.2
1000~	±2

CABLE OD SIZE:  
φ 6.7 φ 7.0 φ 8.5



DIMENSIONS ARE IN MILLIMETERS

TOLERANCE UNLESS OTHERWISE SPECIFIED

LINEAR  
0.0±0.25  
0.00±0.15

ANGLES  
± 3

PART NO.

WS-003D

DATE

SEPTEMBER / 19 / 2008

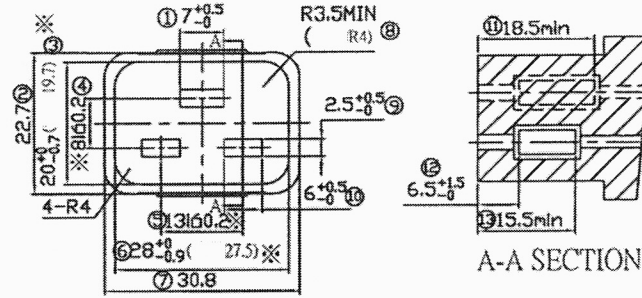
NOT SCALED DRAWING

RoHS COMPLIANT

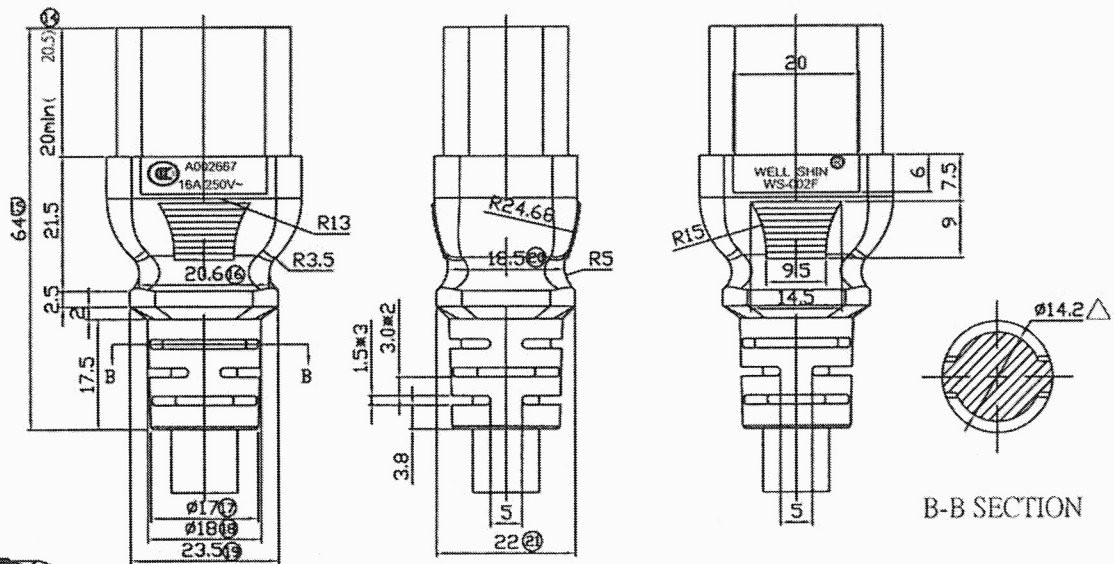
TITLE: IEC320-C20 CONNECTOR VDE APPROVED

DRAWING NO. WS-003D

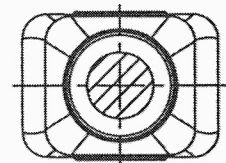
(MARKING):



0-5	±0.2
5-15	±0.3
15-30	±0.5
30-100	±0.8
100-300	±1.0
300-1000	±1.2



CABLE OD SIZE:  
 $\phi$  7.8  $\phi$  8.5  $\phi$  9.2  $\phi$  10.3



DIMENSIONS ARE IN MILLIMETERS				RoHS COMPLIANT	
TOLERANCE UNLESS OTHERWISE SPECIFIED		PART NO.	WS-002F	TITLE: IEC320-C19 CONNECTOR VDE APPROVED	
LINEAR	0.0±0.25 0.00±0.15	DATE	SEPTEMBER / 19 / 2008		
ANGLES	± 3	NOT SCALED DRAWING		DRAWING NO.	WS-002F