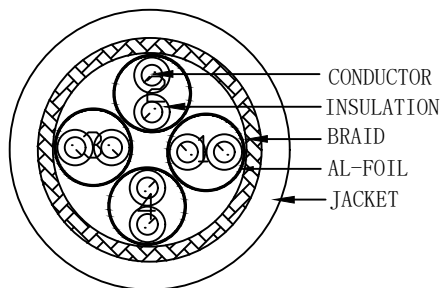
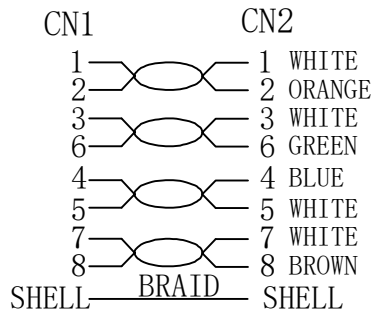


CAT6A S/FTP with 600MHz cat.7 raw cable 4x2x26AWG/7 TPE/LSZH ISO11801 & EN50173 & ANSI/TIA568C.2 www.Synergy21.de

11.68±0.1



WIRING DIAGRAM



NOTE:

1. ELECTRICAL TEST:100% OPEN SHORT, MISS WIRE TEST
2. FLUKE Channel LINK TEST:  
TEST LIMIT:ISO11801 Channel Class EA
3. Working temperature:-10°C~+60°C  
Storage temperature:-20°C~+75°C
4. ROHS 3.0 AND REACH compliant
5. Support PoE/PoE+/PoE++
6. Flame retardant (IEC60332-1-2)  
Low smoke(IEC 61034)  
Halogen free(IEC 60754-2)
7. Raw cable is Cat7 up to 600mhz
8. Packing: 1pc/synergy 21 bag+label

MATERIAL LIST

| ③     | OVER MOLD  | PVC                                                                                                        | 2     |            |
|-------|------------|------------------------------------------------------------------------------------------------------------|-------|------------|
| ②     | CONNECTOR  | CAT6A 500Mhz RJ45 8P8C Shielded Plug, Pin Gold Plated 3u" Shell Nickel plating COLOUR: Transparence Yellow | 2     |            |
| ①     | CABLE      | S/FTP CAT. 7 600Mhz 26AWG (BC*1P+AL-FOLL)*4P+BRAID (AL-MG) JACKET:Ultraflex TPE/LSZH OD:6.0±0.2mm          | 1     |            |
| NO.   | PARTS NAME | SPECIFICATION STANDARD                                                                                     | QT' Y | REMARK     |
| Hasia |            | change "ROSH 2.0" to "ROSH 3.0"                                                                            |       | 2022-02-25 |
|       |            | NEW                                                                                                        |       | 2021-7-15  |
| BY    | CHK        | REVISION RECORD MODIFICATION                                                                               |       | DATE       |

| SYNERGY 21   |                        |                      |       |           |    |
|--------------|------------------------|----------------------|-------|-----------|----|
| CUSTOMER     |                        | ITEM NO.             |       |           |    |
| PRODUCT NAME | CAT.7 S/FTP PATCH CORD | manufacture country: | CHINA | UNIT      | MM |
| DRAWN BY     | CHECK BY               | APPO BY              |       | DATE      |    |
| SYNERGY 21   | SYNERGY 21             | SYNERGY 21           |       | 2021-7-15 |    |

| COLOR:GREY(RAL 7035) |           |
|----------------------|-----------|
| ITEM NO.             | LENGTH    |
| S217600              | 150±5     |
| S217601              | 250±10    |
| S217602              | 500±15    |
| S217603              | 1000±20   |
| S217604              | 1500±30   |
| S217605              | 2000±30   |
| S217606              | 3000±50   |
| S217607              | 5000±100  |
| S217608              | 7500±200  |
| S217609              | 10000±200 |
| S217610              | 15000±300 |
| S217611              | 20000±300 |
| S217612              | 25000±300 |
| S217613              | 30000±500 |

| COLOR:BLACK(PANTONE BLACK 3C) |           |
|-------------------------------|-----------|
| ITEM NO.                      | LENGTH    |
| S217614                       | 150±5     |
| S217615                       | 250±10    |
| S217616                       | 500±15    |
| S217617                       | 1000±20   |
| S217618                       | 1500±30   |
| S217619                       | 2000±30   |
| S217620                       | 3000±50   |
| S217621                       | 5000±100  |
| S217622                       | 7500±200  |
| S217623                       | 10000±200 |
| S217624                       | 15000±300 |
| S217625                       | 20000±300 |
| S217626                       | 25000±300 |
| S217627                       | 30000±500 |

| COLOR:WHITE(RAL 9003) |           |
|-----------------------|-----------|
| ITEM NO.              | LENGTH    |
| S217628               | 150±5     |
| S217629               | 250±10    |
| S217630               | 500±15    |
| S217631               | 1000±20   |
| S217632               | 1500±30   |
| S217633               | 2000±30   |
| S217634               | 3000±50   |
| S217635               | 5000±100  |
| S217636               | 7500±200  |
| S217637               | 10000±200 |
| S217638               | 15000±300 |
| S217639               | 20000±300 |
| S217640               | 25000±300 |
| S217641               | 30000±500 |

| COLOR:BLUE(PANTONE 647C) |           |
|--------------------------|-----------|
| ITEM NO.                 | LENGTH    |
| S217642                  | 150±5     |
| S217643                  | 250±10    |
| S217644                  | 500±15    |
| S217645                  | 1000±20   |
| S217646                  | 1500±30   |
| S217647                  | 2000±30   |
| S217648                  | 3000±50   |
| S217649                  | 5000±100  |
| S217650                  | 7500±200  |
| S217651                  | 10000±200 |
| S217652                  | 15000±300 |
| S217653                  | 20000±300 |
| S217654                  | 25000±300 |
| S217655                  | 30000±500 |

| COLOR:RED(PANTONE 199C) |           |
|-------------------------|-----------|
| ITEM NO.                | LENGTH    |
| S217712                 | 150±5     |
| S217713                 | 250±10    |
| S217714                 | 500±15    |
| S217715                 | 1000±20   |
| S217716                 | 1500±30   |
| S217717                 | 2000±30   |
| S217718                 | 3000±50   |
| S217719                 | 5000±100  |
| S217720                 | 7500±200  |
| S217721                 | 10000±200 |
| S217722                 | 15000±300 |
| S217723                 | 20000±300 |
| S217724                 | 25000±300 |
| S217725                 | 30000±500 |

| COLOR:YELLOW(PANTONE 135C) |           |
|----------------------------|-----------|
| ITEM NO.                   | LENGTH    |
| S217656                    | 150±5     |
| S217657                    | 250±10    |
| S217658                    | 500±15    |
| S217659                    | 1000±20   |
| S217660                    | 1500±30   |
| S217661                    | 2000±30   |
| S217662                    | 3000±50   |
| S217663                    | 5000±100  |
| S217664                    | 7500±200  |
| S217665                    | 10000±200 |
| S217666                    | 15000±300 |
| S217667                    | 20000±300 |
| S217668                    | 25000±300 |
| S217669                    | 30000±500 |

| COLOR:GREEN(PANTONE 3278C) |           |
|----------------------------|-----------|
| ITEM NO.                   | LENGTH    |
| S217670                    | 150±5     |
| S217671                    | 250±10    |
| S217672                    | 500±15    |
| S217673                    | 1000±20   |
| S217674                    | 1500±30   |
| S217675                    | 2000±30   |
| S217676                    | 3000±50   |
| S217677                    | 5000±100  |
| S217678                    | 7500±200  |
| S217679                    | 10000±200 |
| S217680                    | 15000±300 |
| S217681                    | 20000±300 |
| S217682                    | 25000±300 |
| S217683                    | 30000±500 |

| Color:Orange (Pantone 1575C) |           |
|------------------------------|-----------|
| ITEM NO.                     | LENGTH    |
| S217684                      | 150±5     |
| S217685                      | 250±10    |
| S217686                      | 500±15    |
| S217687                      | 1000±20   |
| S217688                      | 1500±30   |
| S217689                      | 2000±30   |
| S217690                      | 3000±50   |
| S217691                      | 5000±100  |
| S217692                      | 7500±200  |
| S217693                      | 10000±200 |
| S217694                      | 15000±300 |
| S217695                      | 20000±300 |
| S217696                      | 25000±300 |
| S217697                      | 30000±500 |

| Color:Magenta(Pantone 212C) |           |
|-----------------------------|-----------|
| ITEM NO.                    | LENGTH    |
| S217698                     | 150±5     |
| S217699                     | 250±10    |
| S217700                     | 500±15    |
| S217701                     | 1000±20   |
| S217702                     | 1500±30   |
| S217703                     | 2000±30   |
| S217704                     | 3000±50   |
| S217705                     | 5000±100  |
| S217706                     | 7500±200  |
| S217707                     | 10000±200 |
| S217708                     | 15000±300 |
| S217709                     | 20000±300 |
| S217710                     | 25000±300 |
| S217711                     | 30000±500 |

| COLOR:purple(Pantone 2725C) |           |
|-----------------------------|-----------|
| ITEM NO.                    | LENGTH    |
| S217760                     | 150±5     |
| S217761                     | 250±10    |
| S217762                     | 500±15    |
| S217763                     | 1000±20   |
| S217764                     | 1500±30   |
| S217765                     | 2000±30   |
| S217766                     | 3000±50   |
| S217767                     | 5000±100  |
| S217768                     | 7500±200  |
| S217769                     | 10000±200 |
| S217770                     | 15000±300 |
| S217771                     | 20000±300 |
| S217772                     | 25000±300 |
| S217773                     | 30000±500 |

SYNERGY 21

|              |                        |                      |           |      |    |
|--------------|------------------------|----------------------|-----------|------|----|
| CUSTOMER     |                        | ITEM NO.             |           |      |    |
| PRODUCT NAME | CAT.7 S/FTP PATCH CORD | manufacture country: | CHINA     | UNIT | MM |
| DRAWN BY     | CHECK BY               | APPO BY              | DATE      |      |    |
| SYNERGY 21   | SYNERGY 21             | SYNERGY 21           | 2021-7-15 |      |    |

|    |     |                              |           |      |
|----|-----|------------------------------|-----------|------|
|    |     | NEW                          | 2021-7-15 | A    |
| BY | CHK | REVISION RECORD MODIFICATION | DATE      | REV. |

| COLOR:RED (PANTONE 199C) |          |           |
|--------------------------|----------|-----------|
| UNO ITEM NO.             | ITEM NO. | LENGTH    |
| F218313R, 01             | S217712  | 150±5     |
| F218313R, 22             | S217713  | 250±10    |
| F218313R, 50             | S217714  | 500±15    |
| F218313R, 11             | S217715  | 1000±20   |
| F218313R, 51             | S217716  | 1500±30   |
| F218313R, 02             | S217717  | 2000±30   |
| F218313R, 03             | S217718  | 3000±50   |
| F218313R, 05             | S217719  | 5000±100  |
| F218313R, 07             | S217720  | 7500±200  |
| F218313R, 00             | S217721  | 10000±200 |
| F218313R, 15             | S217722  | 15000±300 |
| F218313R, 20             | S217723  | 20000±300 |
| F218313R, 25             | S217724  | 25000±300 |
| F218313R, 30             | S217725  | 30000±500 |

| COLOR:purple (Pantone 2725C) |          |           |
|------------------------------|----------|-----------|
| UNO ITEM NO.                 | ITEM NO. | LENGTH    |
| F218313P, 01                 | S217760  | 150±5     |
| F218313P, 22                 | S217761  | 250±10    |
| F218313P, 50                 | S217762  | 500±15    |
| F218313P, 11                 | S217763  | 1000±20   |
| F218313P, 51                 | S217764  | 1500±30   |
| F218313P, 02                 | S217765  | 2000±30   |
| F218313P, 03                 | S217766  | 3000±50   |
| F218313P, 05                 | S217767  | 5000±100  |
| F218313P, 07                 | S217768  | 7500±200  |
| F218313P, 00                 | S217769  | 10000±200 |
| F218313P, 15                 | S217770  | 15000±300 |
| F218313P, 20                 | S217771  | 20000±300 |
| F218313P, 25                 | S217772  | 25000±300 |
| F218313P, 30                 | S217773  | 30000±500 |

SYNERGY 21

|    |     |                              |  |                         |            |            |            |
|----|-----|------------------------------|--|-------------------------|------------|------------|------------|
|    |     | CUSTOMER                     |  | AN                      | ITEM NO.   |            |            |
|    |     | PRODUCT NAME                 |  | CAT. 7 S/FTP PATCH CORD |            | UNIT       | MM         |
|    |     | NEW                          |  | 2021-7-15               | A          | DATE       |            |
| BY | CHK | REVISION RECORD MODIFICATION |  | DATE                    | REV.       | SYNERGY 21 | SYNERGY 21 |
|    |     |                              |  | SYNERGY 21              | SYNERGY 21 | SYNERGY 21 | 2021-7-15  |