

## Art.-Nr. 53320.34

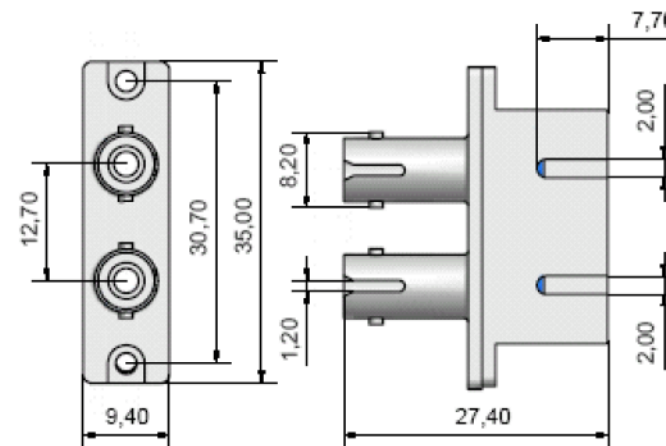
Singlemode SC/ST duplex adaptor,  
metal housing , ceramic sleeve , with dust cap



### Specification

| Item                   | Adaptors     |
|------------------------|--------------|
| Sleeve Material        | Ceramic      |
| Typical Insertion Loss | 0.2dB        |
| Operating Temperature  | -40°C/ +75°C |
| Storage Temperature    | -55°C/ +85°C |

### Mechanical Diagram



The performance of the adaptors has been carefully designed  
to meet the toughest Telcordia standards

**EIA-455 , GR-326-CORE**

in the tests of:

- OPTICAL CHARACTERISTICS
- VIBRATION TEST
- THERMAL CYCLING
- IMPACT RESISTANCE
- SALT SPRAY EROSION
- THERMAL AGING
- HUMIDITY RESISTANCE
- OTHERS