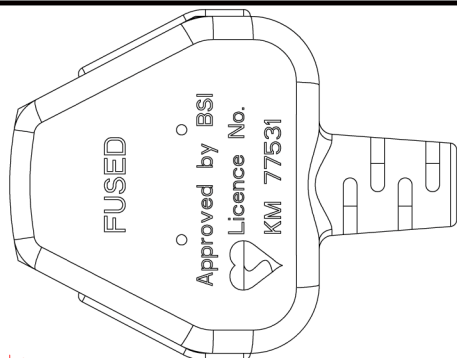


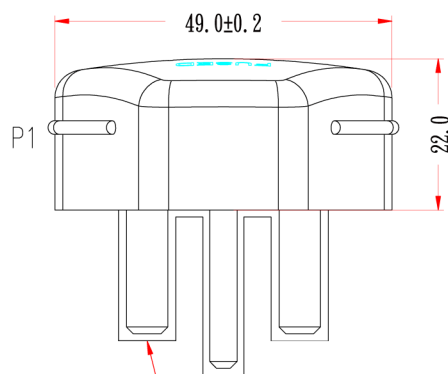
FUSE:

LOGO	FUSE
	5A



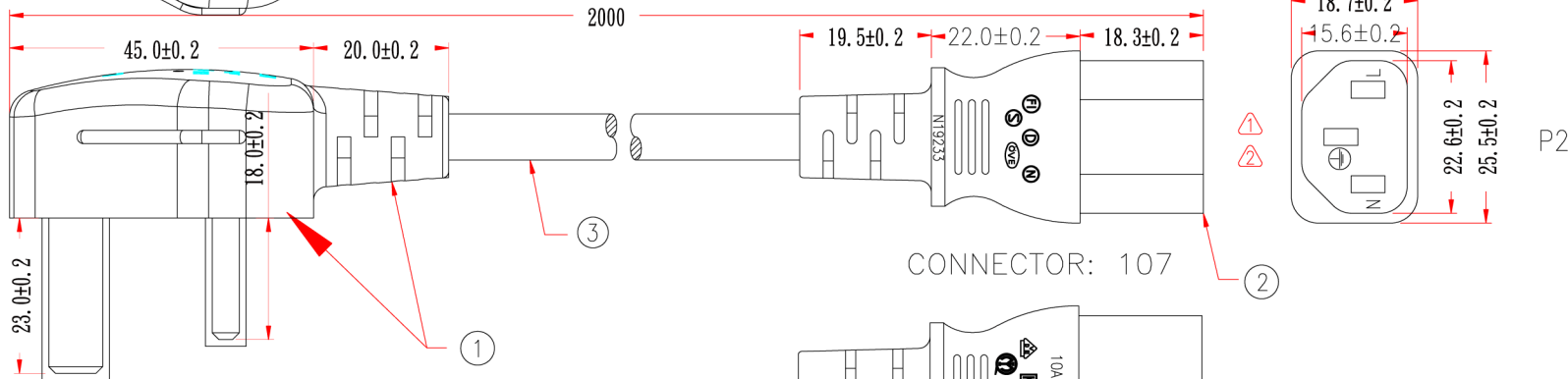
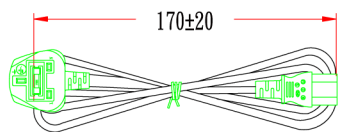
P1,P2:

* NOTE: All relevant materials are complied with RoHS directive .

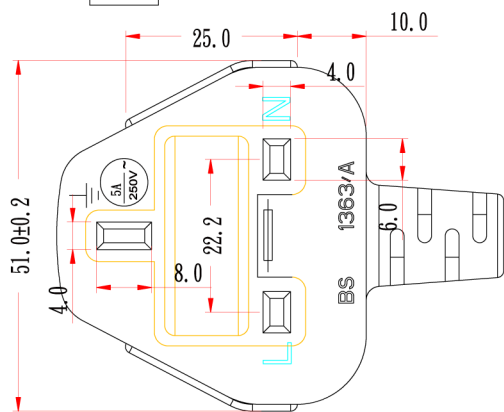


WHITE COVER

PLUG: 401



CONNECTOR: 107



MARKING:

H05W-F 3G 0.75mm² KEMA-KEUR IEMMEQU <VDE>

N20050 G TSA-3 3G 0.75mm²

	P1		P2
BROWN	L	—	L
BLUE	N	—	N
GREEN/YELLOW	E	—	E

3	H05W-F 3G 0.75mm ² G TSA-3, OD 6.8mm, JACKET BLACK, DRAWING No. EPH5V0107503C-027	2000mm	M304
2	MOLDED PVC 45P, COLOR BLACK		M304
	BRACKET: YS-003	1	M767
1	TERMINAL: 2*4mm SH408-2	3	M256
	MOLDED PVC 45P, COLOR BLACK		M304
	FUSE LATCH: 331128 HC-BSB	1	M769
	FUSE: 5A	1	M260
	PLUG BRACKET AND TERMINAL A PIECE TYPE: HT-0209NI-BK	1set	M905
No.	DESCRIPTION	Q'TY	Supplier

PART NO. 107402E3FS2C		Revision:		Cable Length Unless Other Spec. Tolerances: 0 ~200mm ±10mm 201~1000mm ±20mm 1001 ~1500mm ±25mm 1501~2100mm ±30mm 2100mm↑ ±40mm
APPROVED				
CHECKED	TIAN			
DRAWING	XIE			
DATE	03/APR/08	ITEM NO.	EK500.2	UNIT:mm

CHECKED