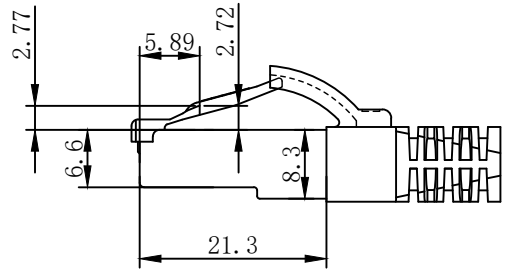
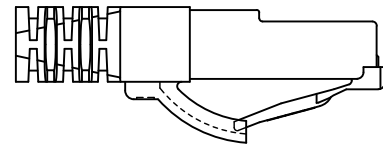
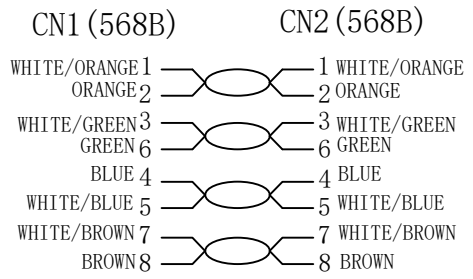


CAT.6/Class E U/UTP PVC 24AWG stranded X 4pairs Cable www.Synergy21.de **CE**



PIN OUT



MATERIAL LIST

⑥	LABEL	NO DRY GLUE LABEL	1	
⑤	MINI TIE	PE MINI TIE (POSSESS METAL)	2	
④	POLYETHYLENE BAG	SYNERGY 21 SLIP PE BAG	1	
③	Cable	CAT. 6 U/UTP 24AWG (CCA)*4PAIRS, JACKET:PVC COLOUR: GRAY (421C) OD: 6.0±0.2mm	1	
②	Over mold	80A PVC, COLOR: Gray (421C)	2	
①	CONNECTOR	RJ45 8P8C' UNSHIELDED, PIN GOLD PLATED 3u" TRANSPARENT	2	
NO.	PARTS NAME	SPECIFICATION STANDARD	QT' Y	REMARK

NOTE:

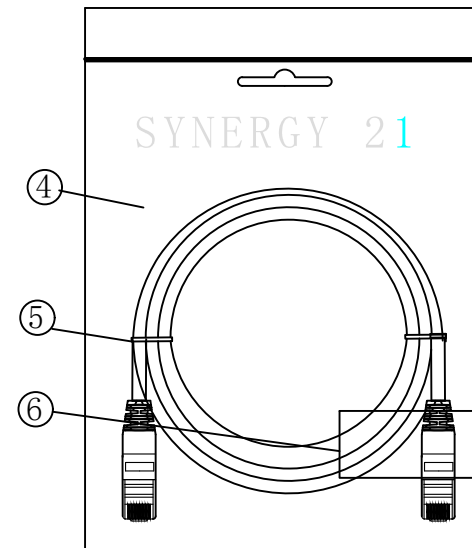
- Electrical test:
  - 100% open short & miss wire test;
  - Insulation resistance: DC 300V 3MΩ;
  - Contact resistance: 15Ω;
- ROHS 3.0 AND REACH COMPLIANT
- Operating temperature: -20°C to +60°C
- Fluke Channel Test ISO 11801 Channel Class E
- Minimum of the bending radius is 60mm

Hasia		change "ROSH 2.0" to "ROSH 3.0"	2022-02-25	A6
		CHANGE PRINT WORD	2021-01-29	A5
		Increase the minimum bend radius	2018-11-30	A4
		Change Over mold	2018-08-29	A3
		CHANGE GREY TO PANTONE 421C	2018-03-20	A2
		ADD "CE" MARK IN THE PRINT	2016-01-11	A1
BY	CHK	REVISION RECORD MODIFICATIONS	DATE	REV.

<b>SYNERGY 21</b>			
CUSTOMER NO.		ITEM NO.	SEE THE CHART
PRODUCT NAME	CAT. 6/Class E U/UTP 24AWG CCA PVC	manufacture country:	CHINA
DRAWNBY	CHECKBY	APPOBY	DATE
SYNERGY 21	SYNERGY 21	SYNERGY 21	2009-08-20

CHART

COLOR: GREY (PANTONE 421C)		
ITEM NO.	LENGTH	PACKING
S216121	250 ± 10mm	SYNERGY21 Bag A
S216122	500 ± 15mm	SYNERGY21 Bag A
S216123	1000 ± 20mm	SYNERGY21 Bag A
S216124	1500 ± 30mm	SYNERGY21 Bag A
S216125	2000 ± 30mm	SYNERGY21 Bag A
S216126	3000 ± 50mm	SYNERGY21 Bag A
S216127	5000 ± 100mm	SYNERGY21 Bag B
S216128	7500 ± 200mm	SYNERGY21 Bag B
S216129	10000 ± 200mm	SYNERGY21 Bag B
S216130	15000 ± 300mm	SYNERGY21 Bag C
S216131	20000 ± 300mm	SYNERGY21 Bag C
S216132	30000 ± 300mm	SYNERGY21 Bag D



						SYNERGY 21					
						CUSTOMER NO.			ITEM NO.	SEE THE CHART	
						PRODUCT NAME	CAT. 6/Class E U/UTP 24AWG CCA PVC	manufacture country:	CHINA	UNIT	MM
NEW						2009-08-20	A	DRAWNBY	CHECKBY	APPOBY	DATE
BY	CHK	REVISION RECORD MODIFICATIONS				DATE	REV.	SYNERGY 21	SYNERGY 21	SYNERGY 21	2009-08-20