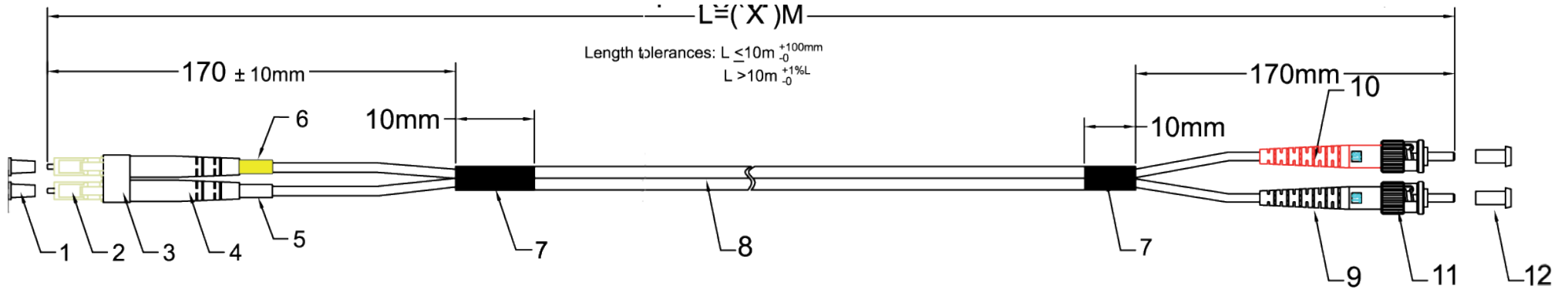


# Duplex Jumper LC/ST 50/125 $\mu$ , OM4, LSZH Jacket Violet



## Notes:

1. Insertion Loss:  $\leq 0.3dB @850nm$
2. End surface test acc. to OP-03-05001
3. Test standard: GR-326-CORE
4. Test report has to match the serial No.
5. RoHS compliant
6. Fiber cable according to IEC 60793-2
7. LC connector acc. to IEC 61754-20
8. ST connector acc. to IEC 61754-2

| 12   | ST dust cover   | 2 pcs |
|------|---|-------|
| 11   | ST 2.0 mm connector   | 2 pcs |
| 10   | ST 2.0 mm boot, red   | 1 pc  |
| 9    | ST 2.0 mm boot, black   | 1 pc  |
| 8    | $\varnothing$ 2.0 mm duplex OM4 50/125 $\mu$ LSZH cable, violet |       |
| 7    | Heat shrink tube, black   | 2 pcs |
| 6    | LC shrink tube, yellow  | 2 pcs |
| 5    | LC shrink tube, white   | 1 pc  |
| 4    | LC 3.0 mm boot, white   | 1 pc  |
| 3    | LC duplex clip, transparent                                     | 1 pc  |
| 2    | LC 2.0 mm connector, beige                                      | 2 pcs |
| 1    | LC dust cover   | 2 pcs |
| Item | Description   | Qty   |

RoHS  
compliant

|                 |                  |   |                   |
|-----------------|------------------|---|-------------------|
| Created<br>MN   | Date<br>07.10.10 | Duplex Jumper LC/ST<br>50/125 $\mu$ OM4, LSZH, violet<br><b>00326.X</b> | File: 00326.X_ENG |
| Last rev.<br>MN | Date<br>20.06.12 |   |                   |

## Indoor Cable Series (duplex)

### 1. Characteristics

- Aramid yarn strength member ensures tension-resistance and long term stability in transmission
- Figure 8 structure jacket
- Small outer diameter, lightweight
- Flame-retardant, halogenfree
- Low attenuation

### 2. Applications

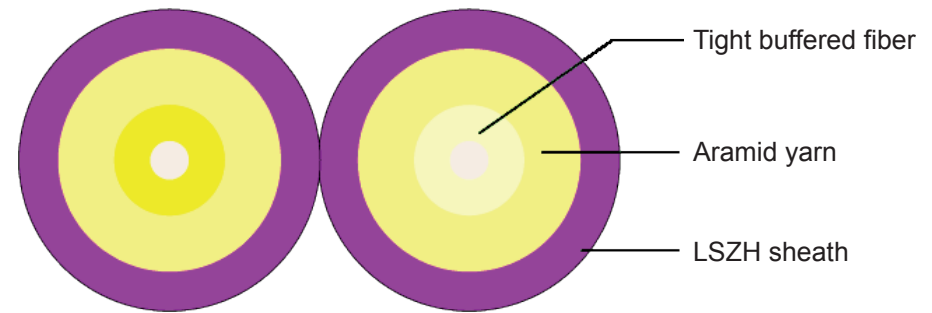
- Patching, crossing
- Indoor cabling

### 3. Temperature Range

- -20°C up to +70°C

### 4. Fiber Optic Cable Performance

- Number of fibers: 2
- Outer diameter: 2.0 x 4.1 mm
- Nominal weight: 8.2 kg/km
- Min. bending radius: 20H (installation)  
10H (static)
- Max. tension: 200 N (short-term)  
100 N (long-term)
- Max. crush resistance (N/100mm): 1000
- Complies with TIA/EIA-568 B.3 & Bellcore GR-409-CORE & OFNR-UL/CSA FT-4
- Max. Attenuation (typ.):  $\leq 2.3$  dB@850nm  
 $\leq 0.6$  dB@1300nm
- OFL Bandwidth:  $\geq 3500$  MHz x km @850nm  
 $\geq 500$  MHz x km @1300nm
- High performance EMB: 4700 MHz x km
- Link distance for 10 Gbit Ethernet: 550 m

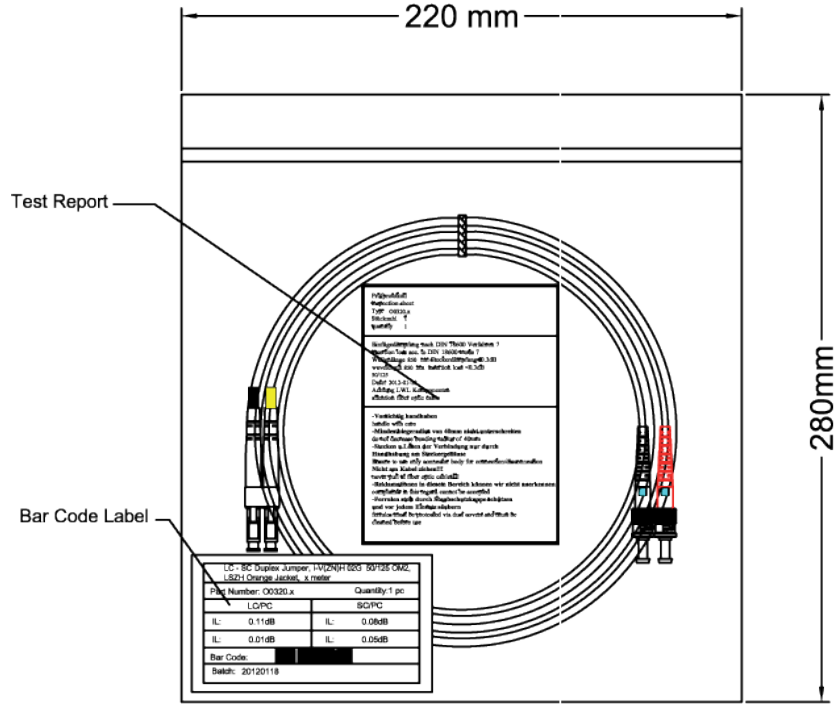


RoHS  
compliant

|                 |                  |   |                   |
|-----------------|------------------|---|-------------------|
| Created<br>MN   | Date<br>07.10.10 | <b>Duplex Jumper LC/ST</b><br><b>50/125<math>\mu</math> OM4, LSZH, violet</b><br><b>00326.X</b> | File: 00326.X_ENG |
| Last rev.<br>MN | Date<br>20.06.12 |   |                   |

**Packaging:**

The corresponding label data for each cable assembly shall be glued to the package



**9# PE Bag(220mm x 280mm)**

|   |
|---|
| Prüfprotokoll<br>inspection sheet<br>Typ: O0326<br>Stückzahl: 1<br>quantity: 1  |
| Einfülldämpfung nach DIN 18600 Verfahren 7<br>insertion loss acc. to DIN 18600 mode 7<br>Wellenlänge 850 nm Steckerdämpfung < 0.3dB<br>wavelength 850 nm insertion loss < 0.3dB<br>50/125<br>Date: 2012-01-18<br>Achtung LWL Komponenten<br>attention fiber optic cable   |
| -Vorsichtig handhaben<br>handle with care<br>-Mindestbiegeradius von 40mm nicht unterschreiten<br>do not decrease bending radius of 40mm<br>-Stecken u.Lösen der Verbindung nur durch Handhabung am Steckergehäuse<br>Ensure to use only connector body for connection/disconnection<br>Nicht am Kabel ziehen!!!<br>never pull at fiber optic cables!!!<br>-Reklamationen in diesem Bereich können wir nicht anerkennen<br>complaints in this regard cannot be accepted<br>-Ferrulen stets durch Staubschutzkappe schützen und vor jedem Einsatz säubern<br>ferrules must be protected via dust covers and must be cleaned before use |

Test Report

|   |                |
|---|----------------|
| LC - ST Duplex Jumper, I-V(ZN)H 02G 50/125 OM4, LSZH Violet Jacket, x meter |                |
| Part Number: O0326.x  | Quantity: 1 pc |
| ST/PC   |                |
| IL: 0.11dB  | IL: 0.06dB     |
| IL: 0.10dB  | IL: 0.13dB     |
| Bar Code:   |                |
| Batch: 20120118   |                |

Bar Code Label(100mmx60mm)

RoHS compliant

|              |               |  |                   |
|--------------|---------------|--|-------------------|
| Created MN   | Date 07.10.10 | Duplex Jumper LC/ST<br>50/125µ OM4, LSZH, violet<br><b>O0326.X</b> | File: O0326.X_ENG |
| Last rev. MN | Date 20.06.12 |  |                   |